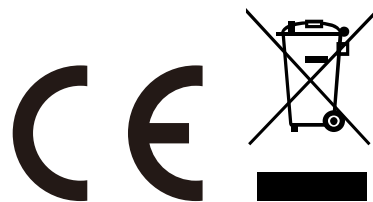
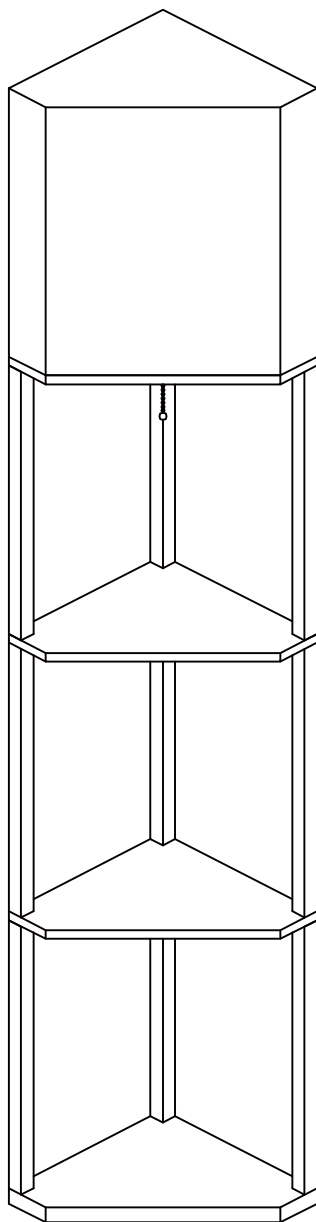




IN251200528V01_UK

B31-315V71



EN_IMPORTANT, RETAIN FOR FUTURE REFERENCE: READ CAREFULLY.

FR_IMPORTANT : A LIRE ATTENTIVEMEN ET A CONSERVER POUR VOUS Y REFERER ULTERIEUREMENT.

ES_IMPORTANTE, LEA Y GUARDE PARA FUTURAS REFERENCIAS.

PT_IMPORTANTE, RETER PARA REFERÊNCIA FUTURA: LEIA ATENTAMENTE.

DE_WICHTIG! SORGFÄLTIG LESEN UND FÜR SPÄTER NACHSCHLAGEN AUFBEWAHREN.

IT_IMPORTANTE! CONSERVARE IL PRESENTE MANUALE PER FUTURO RIFERIMENTO E LEGGERLO ATTENTAMENTE.

Specification

Model	B31-315V71
Max power(Bulb)	40W
Input Voltage/Frequency	AC220-240V~ 50Hz

CAUTION



INDOOR USE ONLY

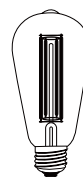
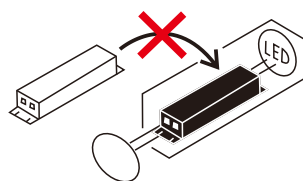
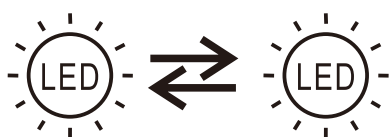
- Keep out of reach of children and animals.
- Do not use in the bathroom or damp places.
- Place the lamp on a flat surface and ensure it is placed away from any flammable materials.
- Before cleaning the lamp, ensure it is switched off.
- Do not pull the plug out of the socket with wet hands.
- If the supply cord is damaged, it must be replaced by the manufacturer, its service agent or similarly qualified persons in order to avoid a hazard.
- Do not touch light bulb while fixture is turned on.
- Never look directly at a lit bulb.
- **Notice: Do not repeatedly turning the light on and off.**

CARE INSTRUCTIONS:

- Unplug lamp before cleaning.
- Wipe clean with a soft, dry cloth or static duster.
- Always avoid the use of harsh chemicals or abrasive cleaners as they may cause damage to the fixture's finish.

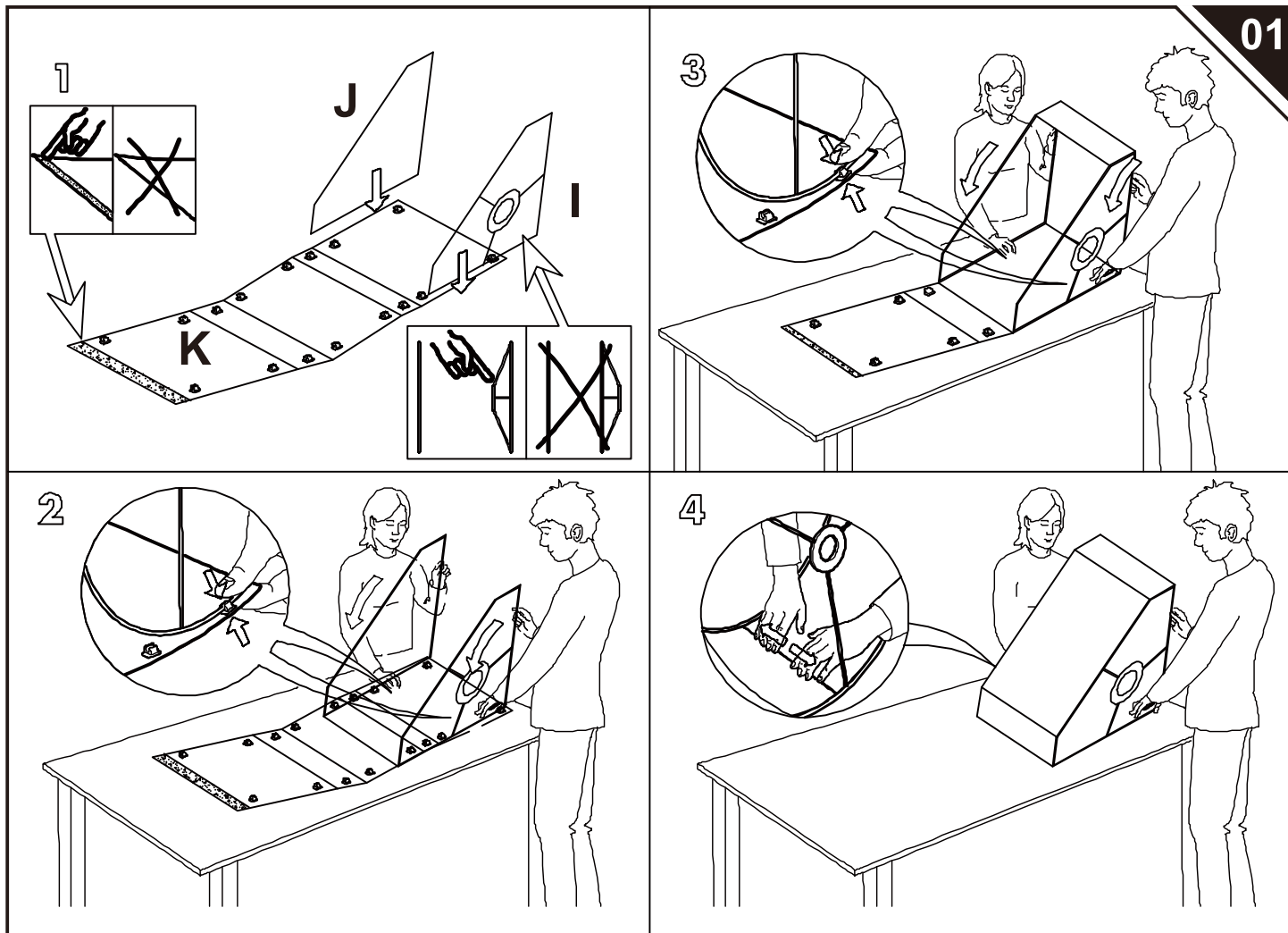
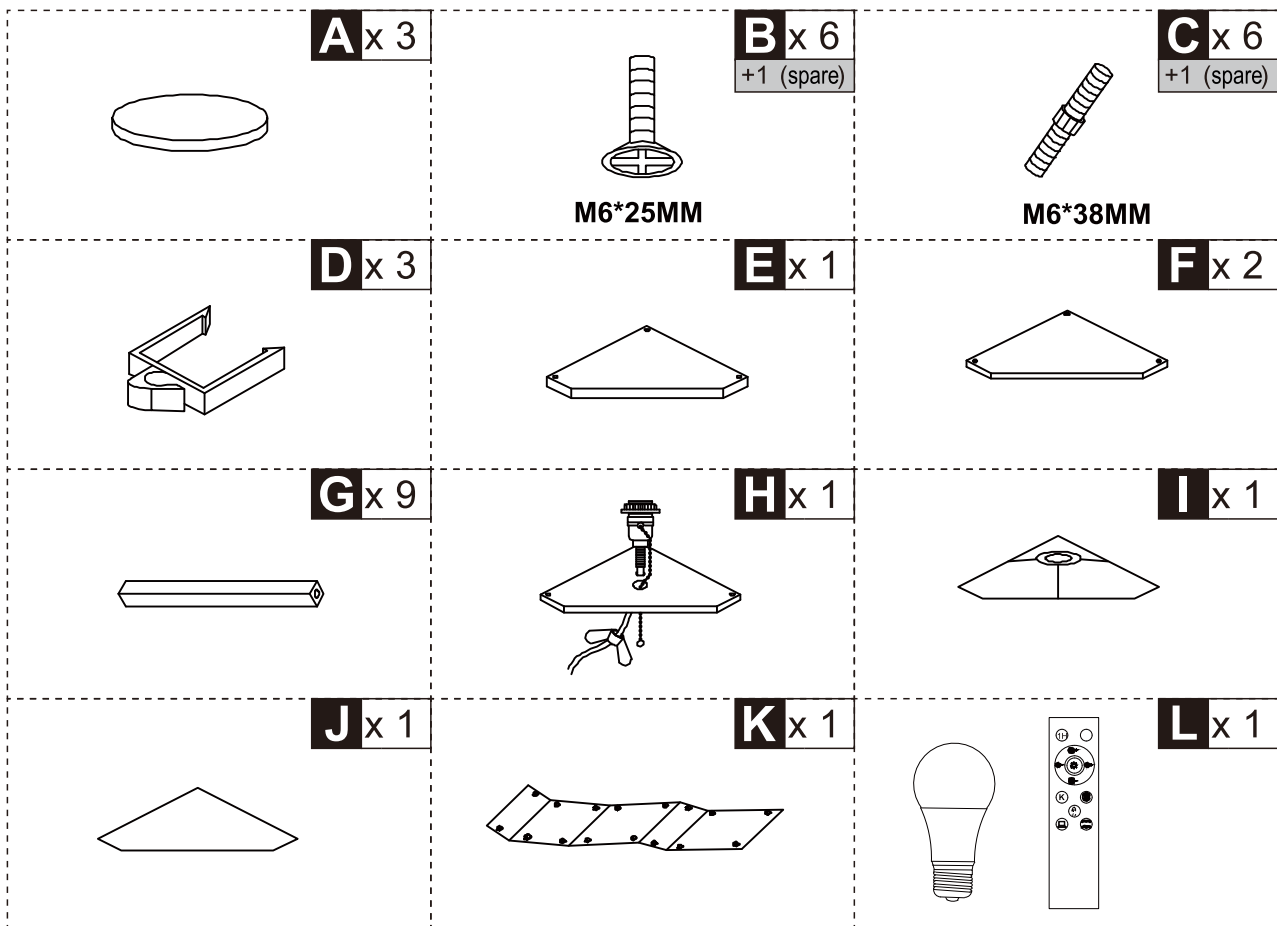
*** Do not discard any contents until after assembly is complete to avoid accidentally discarding small parts or hardware.**

- **This product contains a light source of energy efficiency class <F>.**

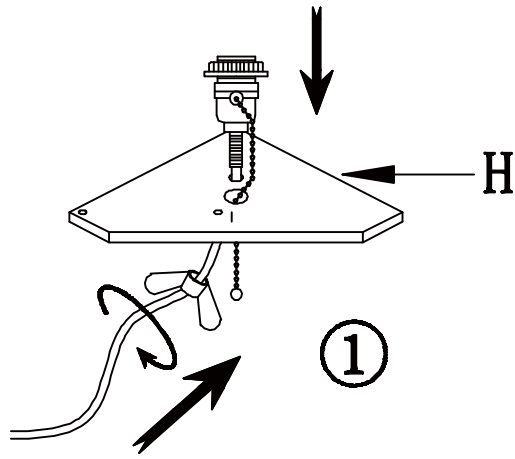


LED
E27(medium) base

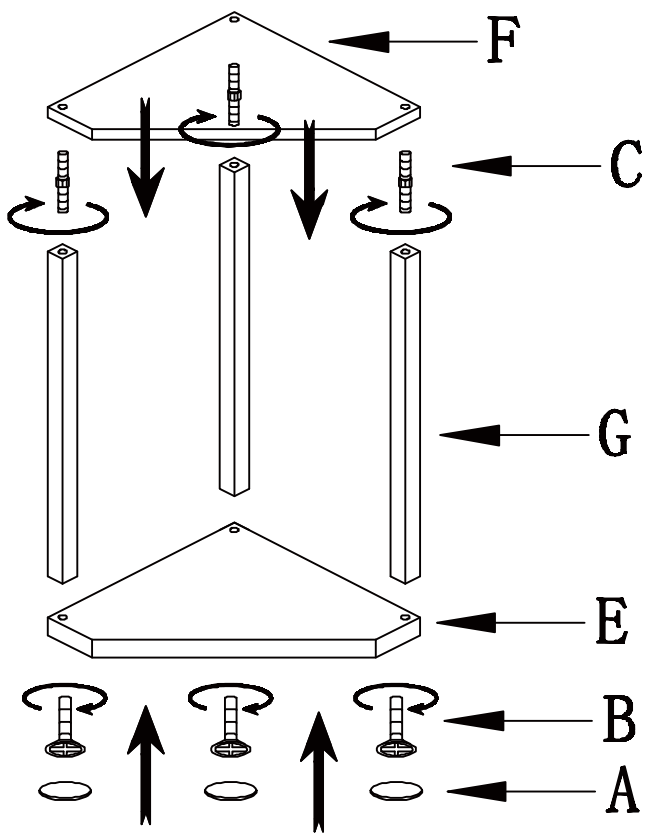
**DO NOT EXCEED THE
SPECIFIED WATTAGE.**



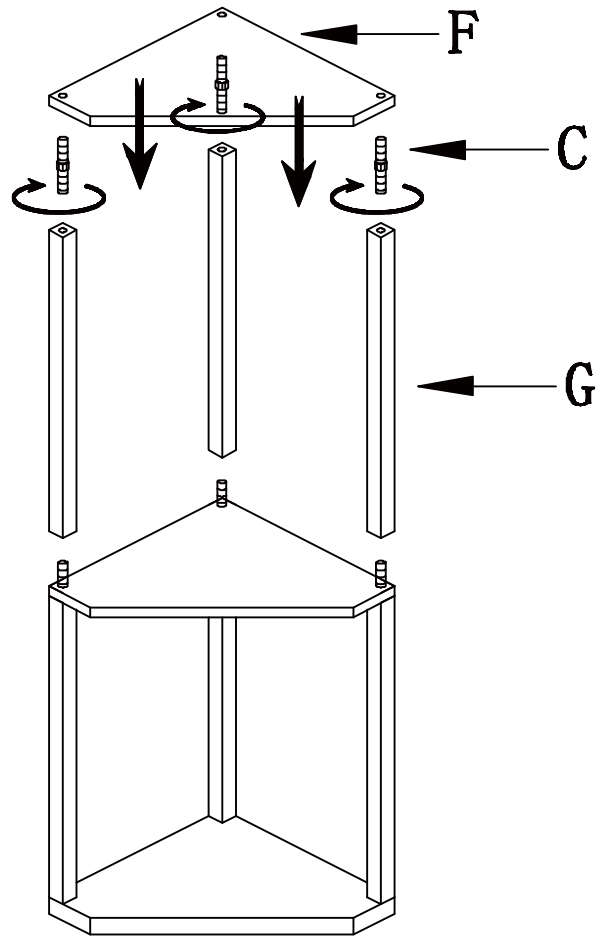
02

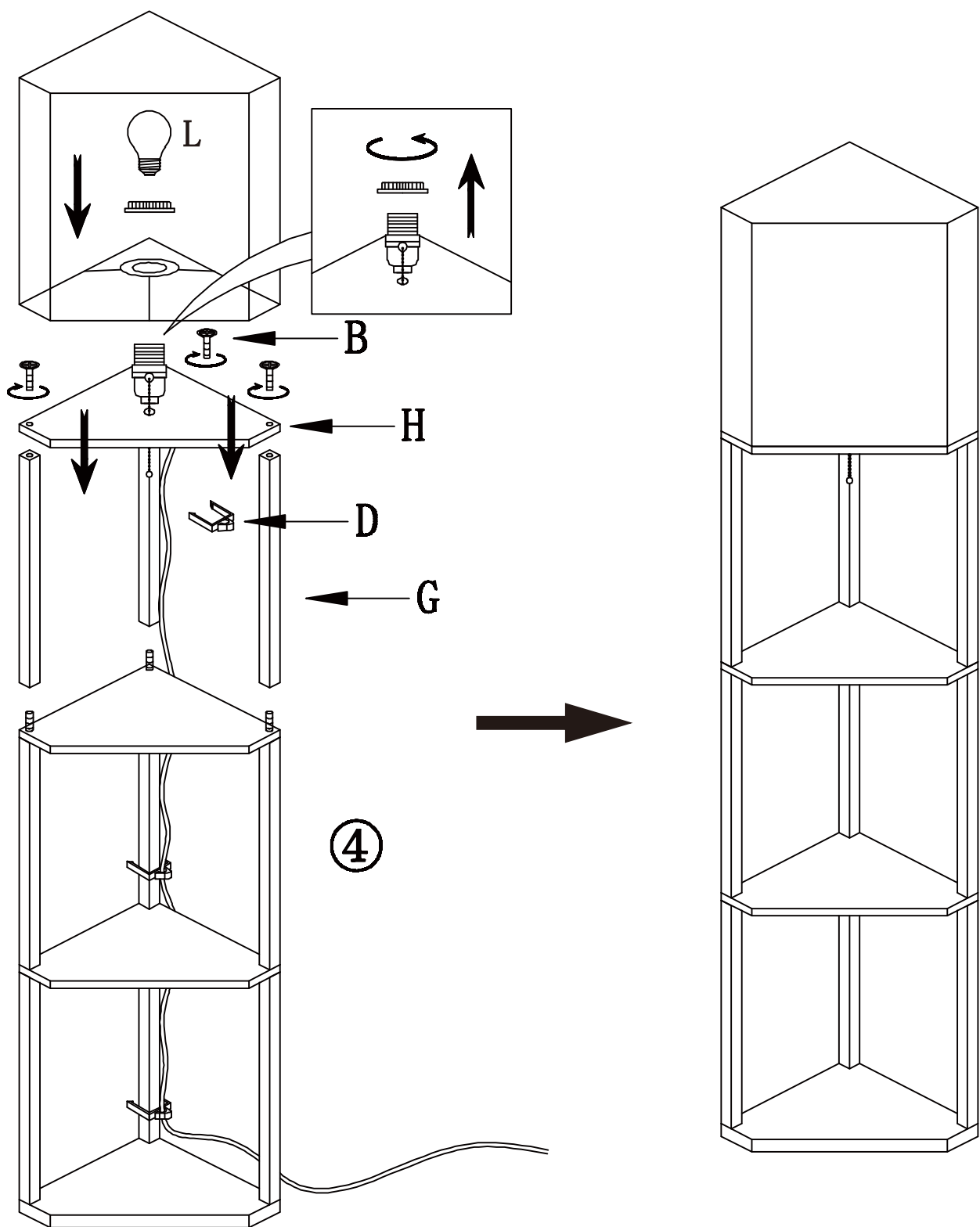


03



04





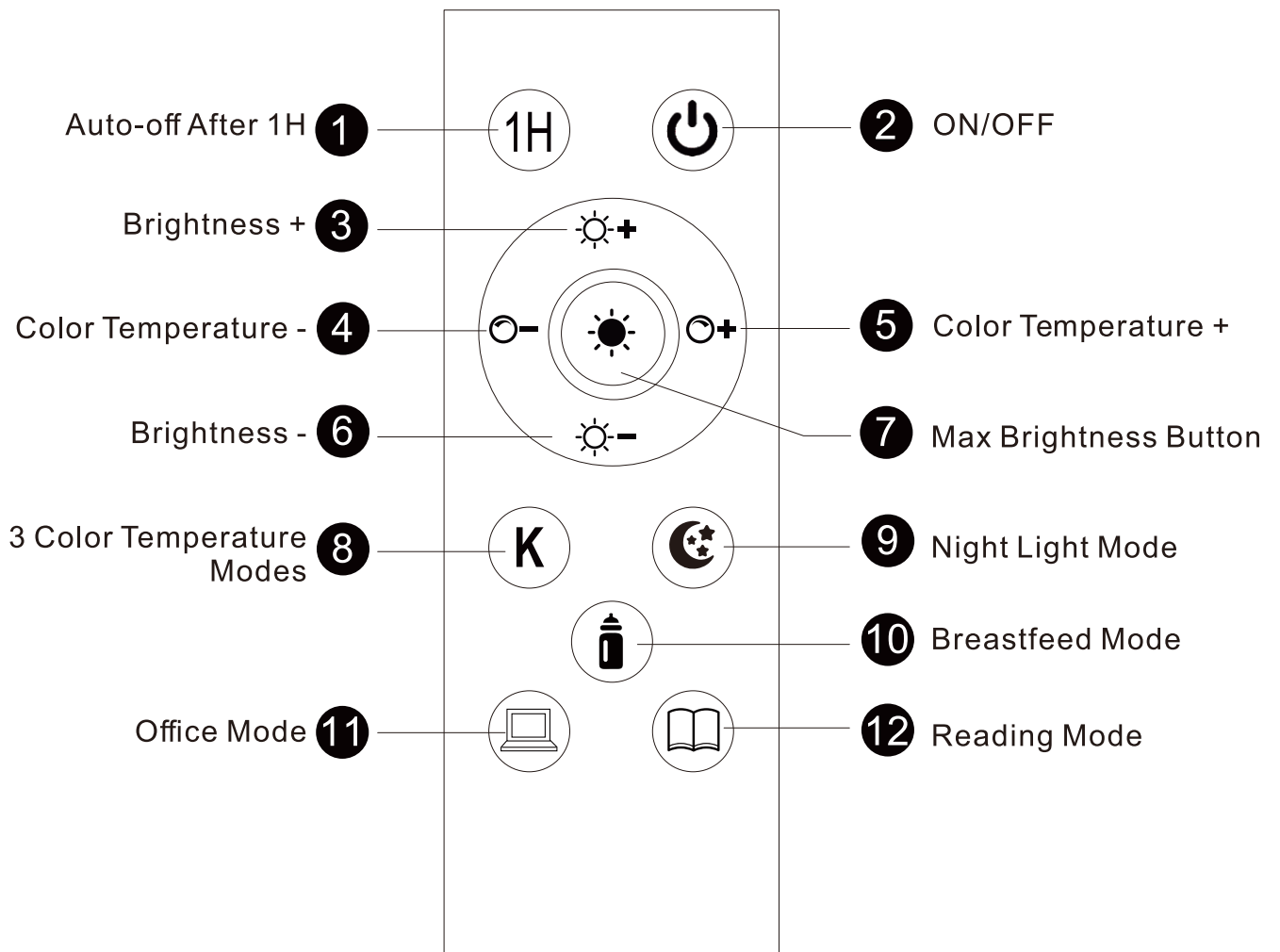
Remote control bulb instructions for use

1. Install the bulb to the floor lamp, and insert the batteries into the remote control.
2. Depress the foot switch gently to turn on the floor lamp.
3. Control the bulb with remote control.

NOTE: To control the bulb by remote control, you must plug the floor lamp into the power supply first, then keep the foot switch in the ON state by depressing it gently.

POWER-OFF MEMORY FUNCTION

Automatically memorize the working state of the light bulb before the power failure, power on the light bulb again and will work according to the last state.



- 1 Auto-off after 1H:**
The bulb flashes once after pressing it, indicating enter the 1-Hour Timer mode; it will automatically exit the timer function if the timer is switched on/off with a foot switch, plug or remote control during the timer period.
- 2 ON/OFF:**
Turn the bulb ON/OFF.
- 3 Brightness +:**
Press the button to increase the brightness.
- 4 Brightness -:**
Press the button to decrease the brightness.
- 5 Color temperature +:**
Press the button to increase the color temperature.
- 6 Color temperature -:**
Press the button to decrease the color temperature.
- 7 Max Brightness Button:**
No matter which color temperature is set, press this button once to adjust the brightness to 100% at this color temperature.
- 8 3 color temperature modes:**
Press the button to cycle through the 3 common color temperature modes.
- 9 Night Light Mode:**
Press the button to enter Night Light Mode.
- 10 Breastfeed Mode:**
Press the button to enter Breastfeed Mode.
- 11 Office Mode:**
Press the button to enter Office Mode.
- 12 Reading Mode:**
Press the button to enter Reading Mode.

UK

If you have any questions, please contact our customer care center.

Our contact details are below:



0044-800-240-4004



enquiries@mhstar.co.uk

IMPORTER ADDRESS:

MH STAR UK Ltd

1 Northampton Cross Logistics Park

Northampton Cross Road

Northampton

NN4 9FH

MADE IN CHINA

Aosom