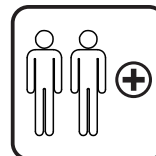
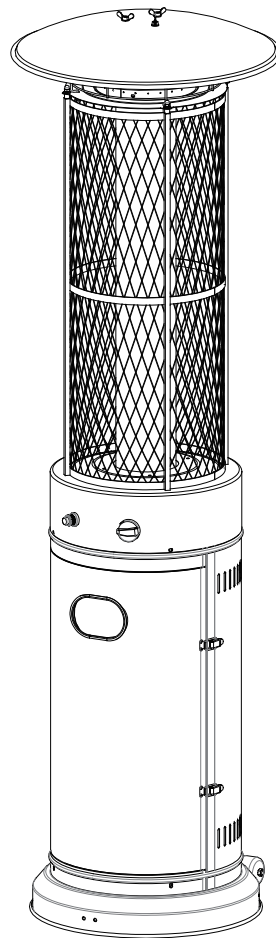




IN241200274V02_UK

842-389V70_842-390V70

MODEL: BYH-C-01



EN_IMPORTANT, RETAIN FOR FUTURE REFERENCE: READ CAREFULLY.

**FR_IMPORTANT: A LIRE ATTENTIVEMENT ET À CONSERVER POUR CONSULTATION
ULTÉRIEURE.**

ES_IMPORTANTE, LEA Y GUARDE PARA FUTURAS REFERENCIAS.

PT_IMPORTANTE, RETER PARA REFERÊNCIA FUTURA: LEIA ATENTAMENTE.

DE_WICHTIG! SORFGFÄLTIG LESEN UND FÜR SPÄTERES NACHSCHLAGEN AUFBEWAHREN.

**IT_IMPORTANTE! CONSERVARE IL PRESENTE MANUALE PER FUTURO RIFERIMENTO E
LEggerlo ATTENTAMENTE.**

WARNING SAFETY RULES

PLEASE READ THE FOLLOWING SAFETY RULES PRIOR TO OPERATION OF THE HEATER

FOR YOUR SAFETY

If you smell gas:

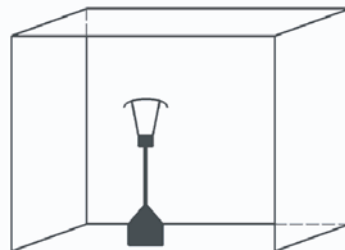
1. Shut off gas to the appliance.
2. Extinguish any open flame.
3. If odor continues, immediately call your gas supplier or your fire Department.

FOR YOUR SAFETY

1. Do not store or use gasoline or other flammable vapors and liquids in the vicinity of this or any other appliance.
2. An LP cylinder not connected for use shall not be stored in the vicinity of this or any other appliance.

WARNING

- 1) For use outdoors or in amply ventilated areas.
- 2) An amply ventilated area must have a minimum of 25 % of the surface area open.
- 3) The surface area is the sum of the walls surface.



WARNING: Improper installation, adjustment, alteration, service or maintenance Can cause injury or property damage. Read the installation, operating and maintenance instructions thoroughly before installing or servicing this equipment.

warning

Read the instructions before installation and use.

- This appliance must be installed and the gas cylinder stored in accordance with the regulations in force;
- Do not obstruct the ventilation holes of the cylinder housing;
- Do not move the appliance when in operation;
- Shut off the valve at the gas cylinder or the regulator before moving the appliance;
- The tubing or the flexible hose must be changed within the prescribed intervals;
- Use only the type of gas and the type of cylinder specified by the manufacturer;

The LP tank used with your patio heater must meet the following requirements:

Purchase LP tanks only with these required measurements:

(31.8cm) (diameter) x 58cm) (tall) with 15kg capacity maximum.

-In case of violent wind particular attention must be taken against tilting of the appliance; Keep the appliance at least 1m from the gas cylinder.

-The injector is installed by the manufacturer only.

Do not connect the gas cylinder directly to the appliance without regulator. Use only the type of gas and the type of cylinder specified in the instructions.

A regulator (complies with EN16129:2013 and the national regulation) of the correct pressure corresponding to the appliance category.

Use 30mbar regulator for butane/propane under the category I3B/P(30).

Use 30mbar regulator for butane under the category I3+(28-30/37).

Use 37mbar regulator for propane under the category I3+(28-30/37).

Use 50mbar regulator for butane/propane under the category I3B/P(50).

It's recommended to use flexible hose that approved by EN16436: 2014.

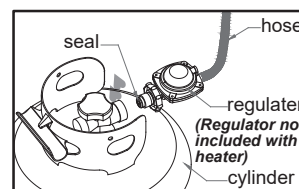
TABLE OF CONTENTS

Caution	1
Heater Stand and Location	2
Gas Requirements	2
Leakage Test	2
Operation and Storage	3
Cleaning and Care	4
Parts and Specifications	4
Assembly Parts and Procedures	6
Problems Check List	12

CAUTION

PLEASE READ CAREFULLY THE FOLLOWING SAFETY GUIDELINES BEFORE OPERATION.

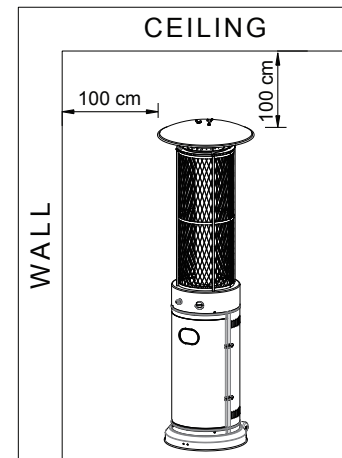
- Do not use the patio heater for indoors, as it may cause personal injury or property damage.
- This outdoor heater is not intended to be installed on recreational vehicles and/or boats.
- Installation and repair should be done by a qualified service person.
- Improper installation, adjustment, alteration can cause personal injury or property damage.
- Do not attempt to alter the unit in any manner.
- Never replace or substitute the regulator with any regulator other than the factory-suggested replacement.
- Do not store or use gasoline or other flammable vapors or liquids in the heater unit.
- The whole gas system, hose, regulator, pilot or burner should be inspected for leaks or damage before use, and at least annually by a qualified service person.
- All leak tests should be done with a soap solution. Never use an open flame to check for leaks.
- Do not use the heater until all connections have been leak tested.
- Turn off the gas valve immediately if smell of gas is detected. Turn Cylinder Valve OFF. If leak is at Hose/Regulator connection: tighten connection and perform another leak test. If bubbles continue appearing should be returned to hose's place of purchase. If leak is at Regulator/Cylinder Valve connection: disconnect, reconnect, and perform another leak check. If you continue to see bubbles after several attempts, cylinder valve is defective and should be returned to cylinder's place of purchase.
- Do not transport heater while it's operating.
- Do not move the heater after it has been turned off until the temperature has cooled down.
- Keep the ventilation opening of the cylinder enclosure free and clear of debris.
- Do not paint the radiant screen, control panel or top canopy reflector.
- Control compartment, burner and circulation air passageways of the heater must be kept clean. Frequent cleaning may be required as necessary.
- The LP tank should be turned off when the heater is not in use.
- Check the heater immediately if any of the following occurs:
 - The heater does not reach temperature.
 - The burner makes popping noise during use (a slight noise is normal when the burner is extinguished).
 - Smell of gas in conjunction with extreme yellow tipping of the burner flames.
- The LP regulator/hose assembly must be located out of pathways where people may trip over it or in area where the hose will not be subject to accidental damage.
- Any guard or other protective device removed for servicing the heater must be replaced before operating the heater.
- Adults and children should stay away from high temperature surface to avoid burns or clothing ignition.
- Children should be carefully supervised when they are in the area of the heater.
- Clothing or other flammable materials should not be hung on the heater or placed on or near the heater.
- To change the gas cylinder in a amply ventilated area, away from any ignition source (candle, cigarettes, other flame producing appliances, ...);
- To check that the regulator seal is correctly fitted and able to fulfill its function showed as photo right;
- To not obstruct the ventilation holes of the cylinder housing;
- To close the gas supply at the valve of the gas cylinder or the regulator after use;
- In the event of gas leakage, the appliance shall not be used or if alight, the gas supply shall be shut off and the appliance shall be investigated and rectified before it is used again;
- To check the hose at least once per month, each time the cylinder is changed, or each time before long time no use. If it shows signs of cracking, splitting or other deterioration it shall be exchanged for new hose of the same length and of the equivalent quality;
- The use of this appliance in enclosed areas can be dangerous and is PROHIBITED;
- Read the instructions before using this appliance. The appliance must be installed in accordance with the instructions and local regulations.
- For connection of hose and regulator, and connection of regulator and hose, please refer to photo showed above.
- This product contains small batteries. Swallowed small batteries can cause CHOKING HAZARD. Seek immediate medical attention if batteries are swallowed or inhaled. Keep children away from the small batteries.



Hose/ Regulator connection and
Regulator / Cylinder connection

HEATER STAND AND LOCATION

- The heater is primarily for outdoor use only. Always ensure that adequate fresh air ventilation is provided.
- Always maintain proper clearance to non protected combustible materials i.e. top 100 cm and sides 100 cm minimum.
- Heater must be placed on level firm ground.
- Never operate heater in an explosive atmosphere like in areas where gasoline or other flammable liquids or vapors are stored.
- To protect heater from strong wind, anchor the base securely to the ground with screws.



GAS REQUIREMENTS

- Use propane, butane or their mixtures gas only.
- The pressure regulator and hose assembly to be used must conform to local standard codes.
- The installation must conform to local codes, or in the absence of local codes, with the standard for the storage and handling of liquid petroleum gases.
- A dented, rusted or damaged tank may be hazardous and should be checked by your tank supplier. Never use a tank with a damaged valve connection.
- The tank must be arranged to provide for vapor withdrawal from the operating cylinder.
- Never connect an unregulated tank to the heater.

LEAKAGE TEST

Gas connections on the heater are leak tested at the factory prior to shipment. A complete gas tightness check must be performed at the installation site due to possible mishandling in shipment or excessive pressure being applied to the heater.

- Make a soap solution of one part liquid detergent and one part water. The soap solution can be applied with a spray bottle, brush or rag. Soap bubbles will appear in case of a leak in gas pipe connections.
- The heater must be checked with a full cylinder.
- Make sure the safety control valve is in the OFF position.
- Turn the gas supply ON.
- In case of a leak, turn off the gas supply. Tighten any leaking fittings, then turn the gas supply on and re-check.
- Never leak test while smoking.

OPERATION AND STORAGE

TO TURN ON THE HEATER

1. Turn on the valve on the gas supply cylinder completely.
2. Press and turn the variable control knob to PILOT position (counter-clockwise 90°).
3. Press down the variable control knob and hold for 60 seconds. While holding down the variable control knob, press the igniter button several times until the pilot flame lights. Release the variable control knob after the pilot flame lights.

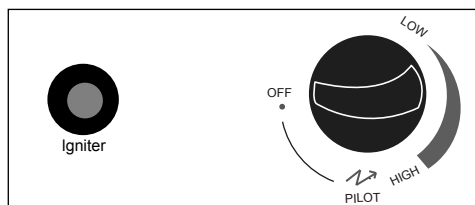
Note:

- If a new tank has just been connected, please allow at least one minute for the air in the gas pipeline to purge out through the pilot hole.
 - When lighting the pilot flame make sure that the variable control knob is continuously pressed down while pressing the igniter button. Variable control knob can be released after the pilot flame lights.
 - If the pilot flame does not light or it goes out, repeat step 3.
4. After the pilot flame lights, turn the variable control knob to maximum position and leave it there for 5 minutes or more before turning the knob to desired temperature position.

Warning: *check that no broken on the glass is found before operation.*

TO TURN OFF THE HEATER

1. Turn the variable control knob to PILOT position.
2. Press and turn the variable control knob to OFF position.



Igniter

Variable control knob

OFF: the heater stop work
HIGH: maximum temperature position
LOW: minimum temperature position

3. Turn off the valve on the gas supply cylinder completely.

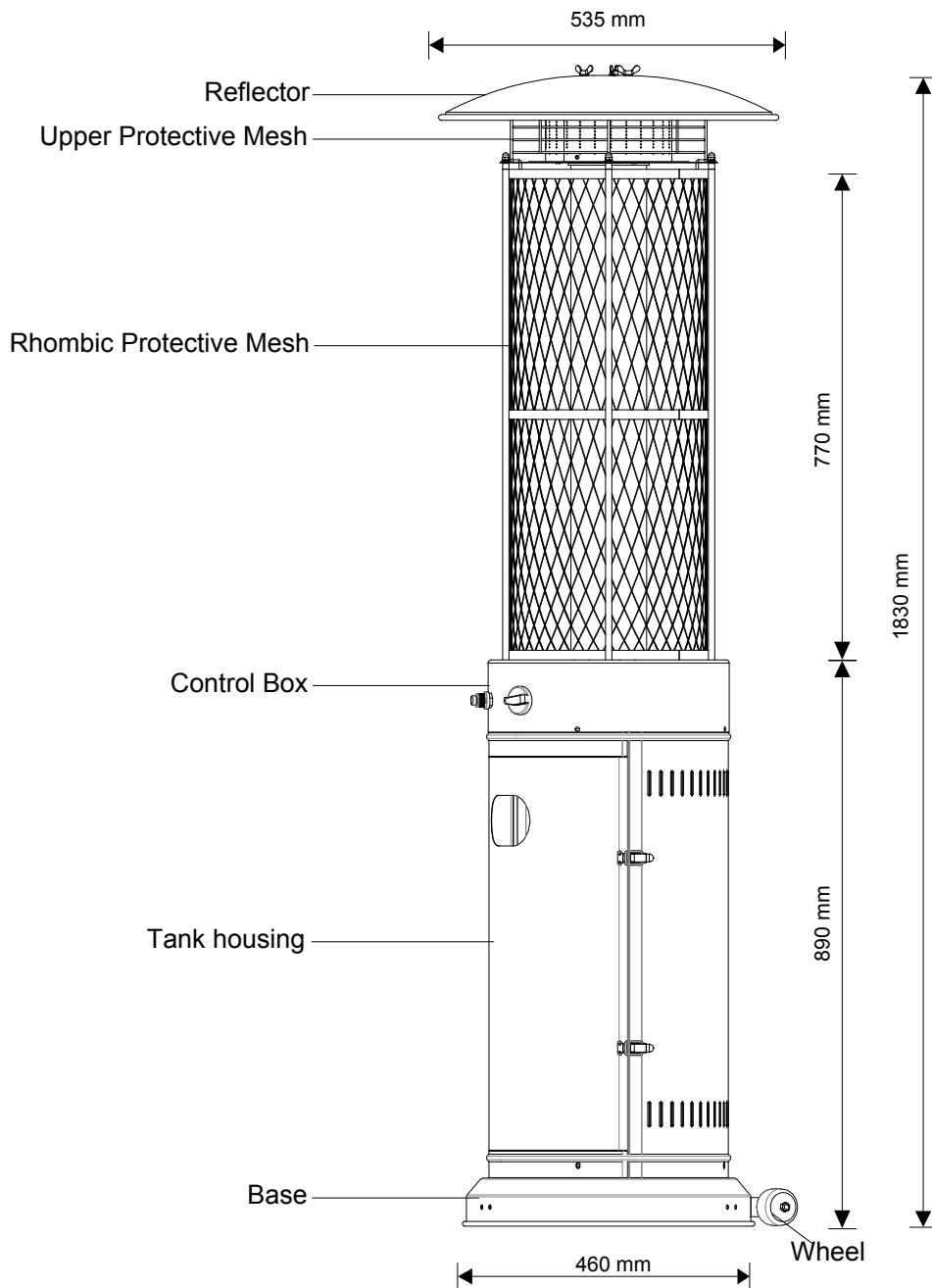
Storage

1. Always close the gas valve of the gas cylinder after use or in case of a disturbance.
2. Remove the pressure regulator and the hose.
3. Check the tightness of the gas valve and for damage. If you suspect a damage, have it changed by your gas dealer.
4. Never store liquid gas cylinder in a sub-terrain, or at places without adequate air ventilation.

CLEANING AND CARE

- Wipe off powder coated surfaces with soft, moist rag. Do not clean heater with cleaners that are combustible or corrosive.
- Remove debris from the burner to keep it clean and safe for use.
- Cover the burner unit with the optional protective cover when the heater is not in use.

PARTS AND SPECIFICATIONS



A. Construction and characteristics

- Transportable terrace/garden heater with tank housing.
- Casing in steel with powder-coating or in stainless steel.
- Gas hose connections with metal clamp (screw caps for Germany).
- Heat emission from reflector.

B. Specifications

- Use propane, butane or their mixtures gas only.
- Max. wattage: 11000 watts
- Min. wattage: 5000 watts
- Consumption:

APPLIANCE CATEGORY:	I ₃₊ (28-30/37)		I _{3B/P} (30)	I _{3B/P} (50)	I _{3B/P} (37)
TYPES OF GAS:	Butane	Propane	Butane, propane or their mixtures	Butane, propane or their mixtures	Butane, propane or their mixtures
GAS PRESSURE:	28-30mbar	37 mbar	30 mbar	50mbar	37mbar
OUTLET PRESSURE OF REGULATOR:	30mbar	37 mbar	30 mbar	50mbar	37mbar

- Using the proper regulator according to outlet pressure of regulator as showed in the table above.

C. Table of injector

APPLIANCE CATEGORY:	I ₃₊ (28-30/37)		I _{3B/P} (30)	I _{3B/P} (50)	I _{3B/P} (37)
TYPES OF GAS:	Butane	Propane	Butane, propane or their mixtures	Butane, propane or their mixtures	Butane, propane or their mixtures
GAS PRESSURE:	28-30mbar	37 mbar	30 mbar	50mbar	37mbar
TOTAL HEAT INPUT (Hs): (Qn)	11kW (G30:800g/h; G31:786g/h)				
INJECTOR SIZE:	1.75 mm for main burner 0.22 mm for pilot burner			1.55 mm for main burner 0.22 mm for pilot burner	1.6 mm for main burner 0.22 mm for pilot burner
The marking, for example, 1.75 on the injector, indicates that the size of injector is 1.75mm					

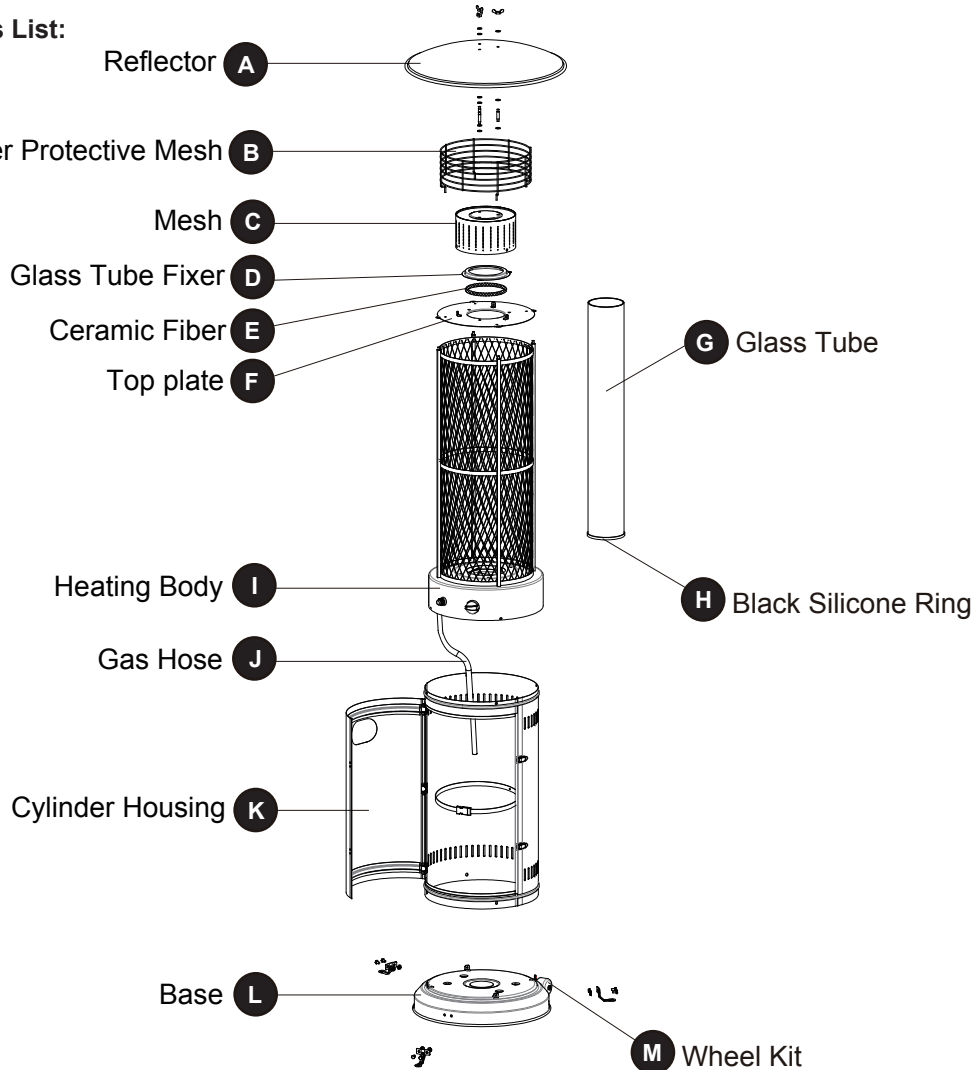
- The hose and regulator assembly must conform to local standard codes.
- Regulator outlet pressure should meet the corresponding appliance category in B. Specification.
- The appliance requires approved hose in 0.6m length.

ASSEMBLY PARTS

Tools needed:

- Philips screwdriver w/ medium blade
- Spray bottle of soap solution for leakage test

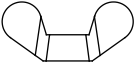
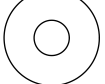
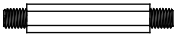
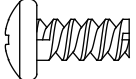
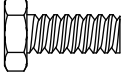

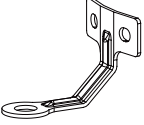
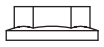
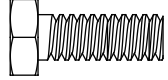
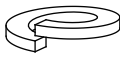
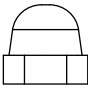
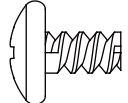
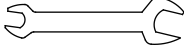
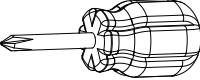
Parts List:



PART	DESCRIPTION	QUANTITY
A	Reflector	1
B	Upper Protective Mesh	1
C	Mesh	1
D	Glass Tube Fixer	1
E	Ceramic Fiber	1
F	Top plate	1
G	Glass Tube	1
H	Black Silicone Ring	1
I	Heating Body	1
J	Gas Hose	1
K	Cylinder Housing	1
L	Base	1
M	Wheel Kit	1

ASSEMBLY PARTS

HARDWARE CONTENTS (shown actual size)

- | | | | | | |
|--|--|--|---|--|--|
| 
AA | 
BB | 
CC | 
DD | 
EE | 
FF |
| Wing nut
Qty. 3 | washer $\Phi 6$
Qty. 19 | Stud
Qty. 3 | Screw M5 X 10
Qty. 11 | Bolt M6 X 12
Qty. 6 | M6 nut
Qty. 6 |
| 
GG | 
HH | 
II | 
JJ | 
KK | 
LL |
| Ground Fixer
Qty. 3 | M8
Flange
Nut
Qty. 2 | M8 x 16 mm
Bolt
Qty. 2 | Spring washer $\Phi 6$
Qty. 4 | Cap Nut
Qty. 4 | 3/16" Screw
Qty. 3 |
| 
MM | 
NN | | | | |
| Wrench
Qty. 1 | Philips
screwdriver
Qty. 1 | | | | |

ASSEMBLY PROCEDURES

1-1. To protect heater from strong wind, anchor the base securely to the ground with screws.

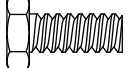


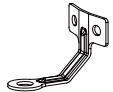

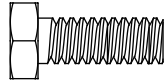
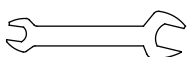
1) Reverse the base, fix the ground fixer to the base with bolts and washers like picture shows.

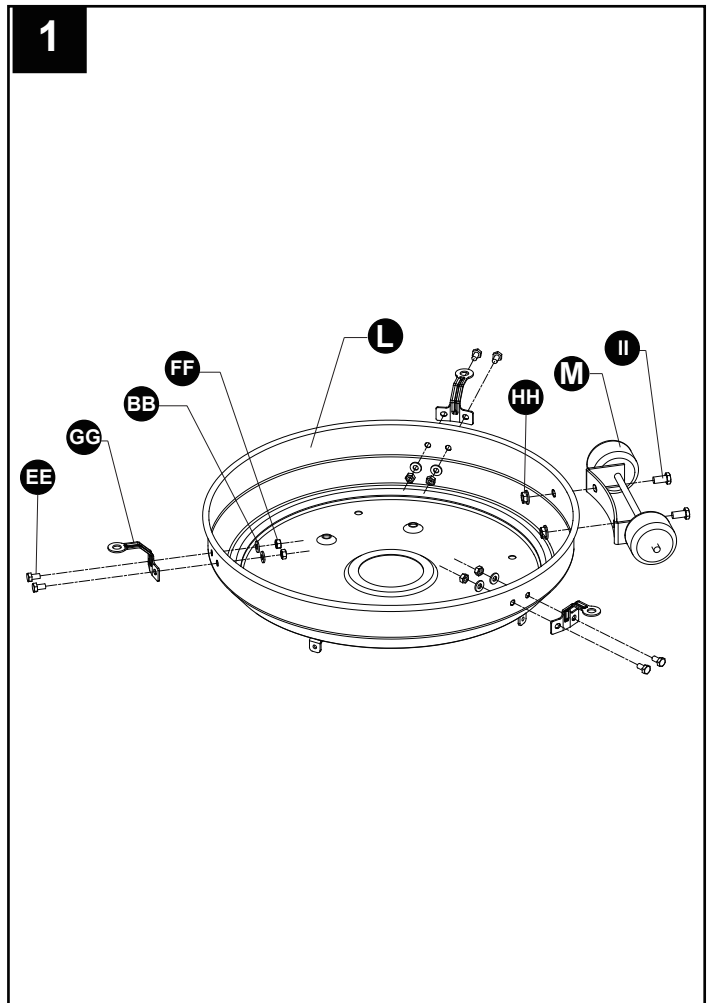
2) Secure the ground fixer with nuts.

3) Fix another two ground fixer with bolts and nuts, and reverse the base.

1-2. Line up holes on the bracket of wheel assembly with the corresponding holes on base, then insert M8 x 16 mm bolts through holes. Hand tighten with M8 flange nuts. Be sure the wheel assembly is parallel to the base.

Hardware Used

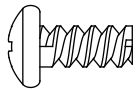
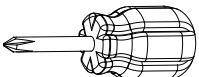
EE	Bolt M6 X 12		x 6
BB	washer $\Phi 6$		x 6
FF	M6 nut		x 6
GG	Ground Fixer		x 3
HH	M8 Flange Nut		x 2
II	M8 x 16 mm Bolt		x 2
MM	Wrench		x 1

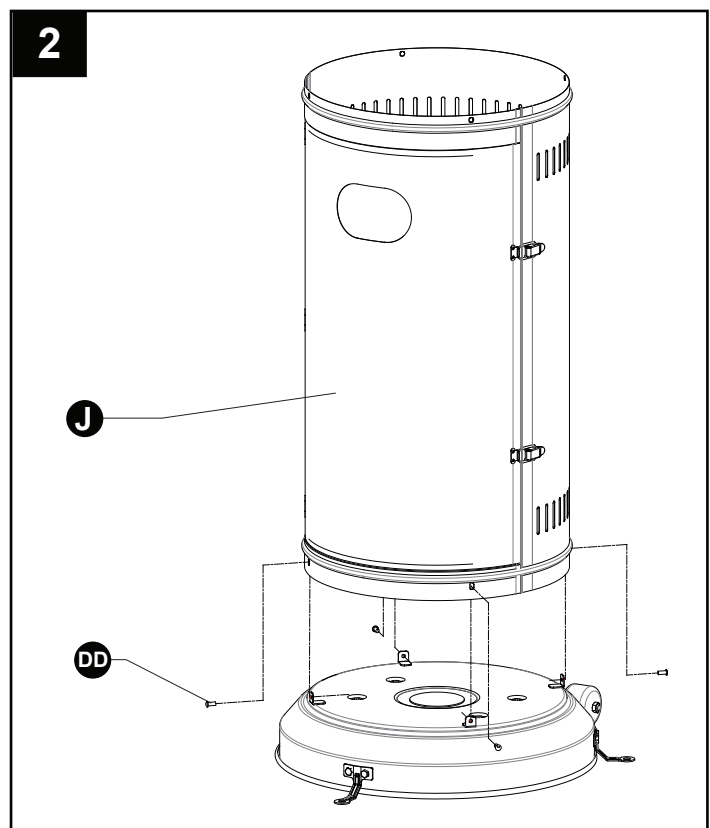


2. Assemble the tank housing

Secure the tank housing to the base using 4pcs screw M5X10.

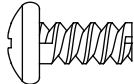
Hardware Used

DD	Screw M5 X 10		x 4
NN	Philips screwdriver		x 1

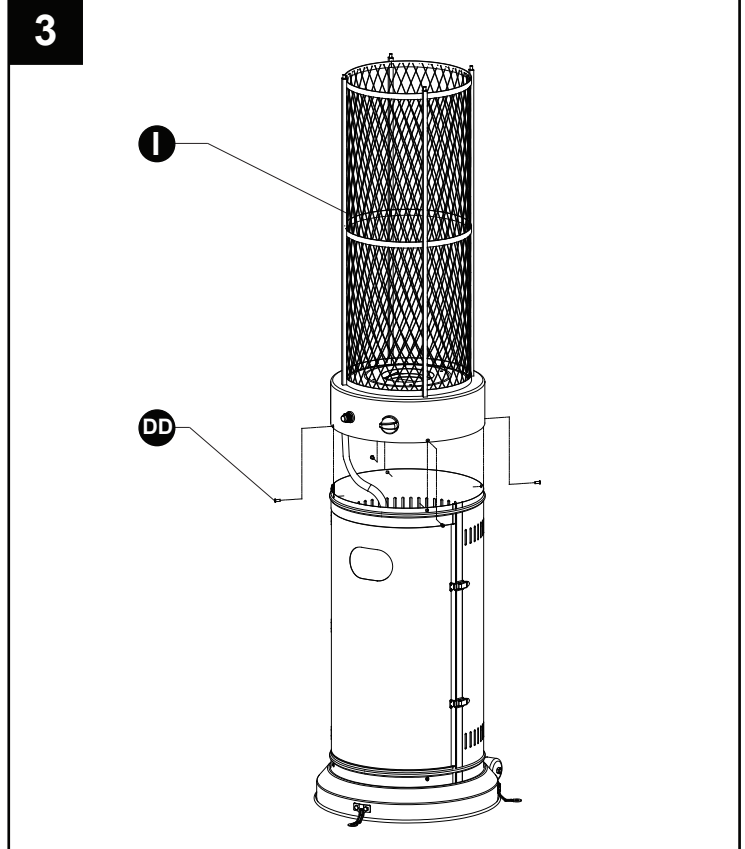


3. Assemble the heating body.
Secure the heating body to the tank housing
using 4pcs screw M5X10.

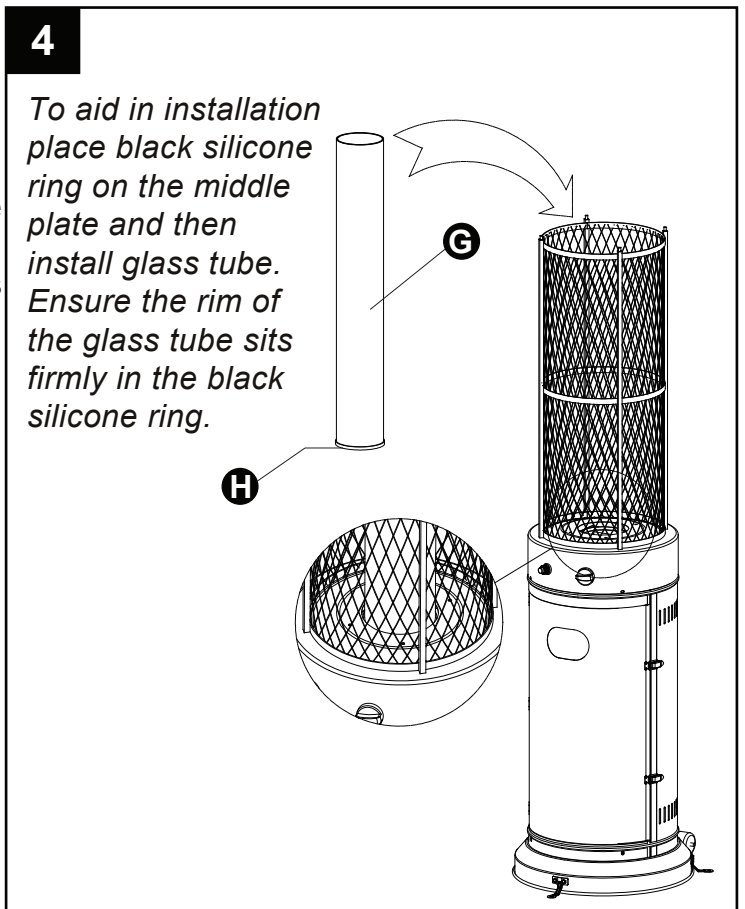
Hardware Used

DD Screw M5 X 10  x 4

NN Philips
screwdriver  x 1



4. Carefully install the glass tube by lifting up
and inserting through the center hole in the
upper plate. Ensure the black silicone ring is
attached to the lower edge of the glass tube
as illustrated. Slide the glass tube through the
hole of the lower plate cover and onto the
middle plate. Check and ensure that the glass
tube is positioned properly and is completely
covering the center hole of the middle plate.

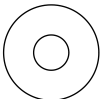


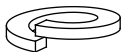
WARNING! The black
silicone ring must be in place
prior to operating the heater.

5. Top Plate Assembly

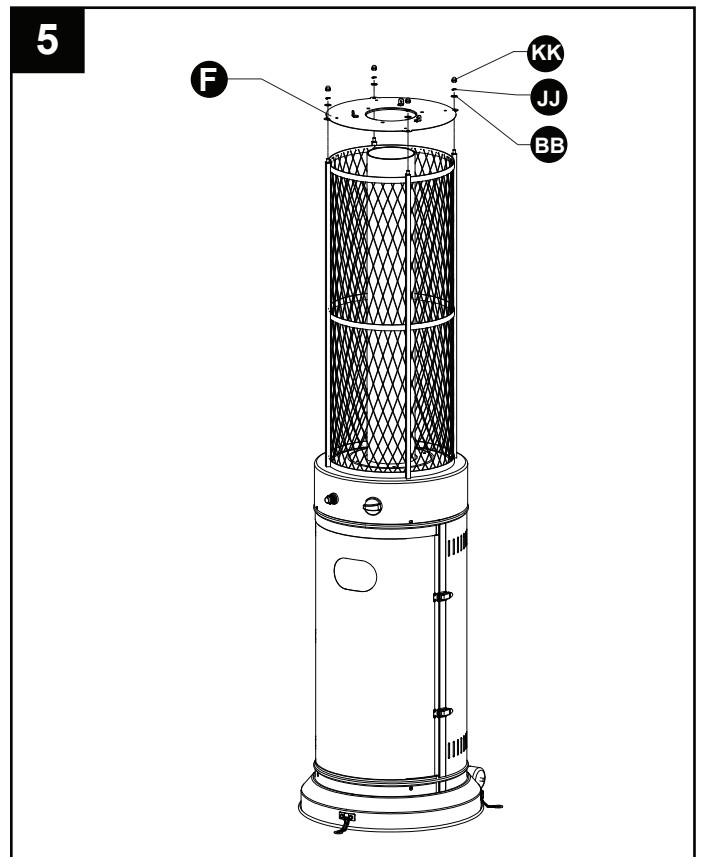
Attach top plate on protective mesh with 4 pcs $\Phi 6$ washers, 4 pcs spring washer and 4 pcs cap nut like picture 5 shows. (Attention: Let the glass tube through the hole of top plate).

Hardware Used

BB Washer $\Phi 6$  x 4

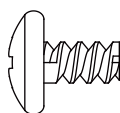
JJ Spring washer $\Phi 6$  x 4

KK Cap Nut  x 4

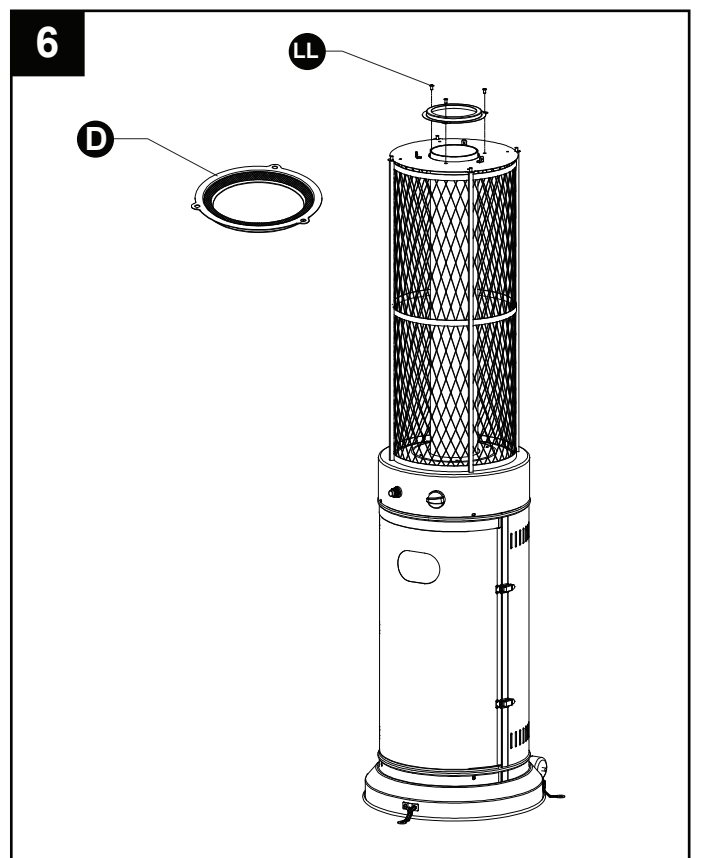


6. Assembly the glass tube fixer. Insert the ceramic fiber to the quartz tube fixer. Press the glass tube fixer to the glass tube. Make sure the ceramic fiber is outside of glass tube. Use Phillips screwdriver to secure the glass tube fixer to the top plate with 3/16" Screw.

Hardware Used

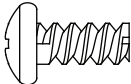
LL 3/16" Screw  x 3

NN Philips screwdriver  x 1

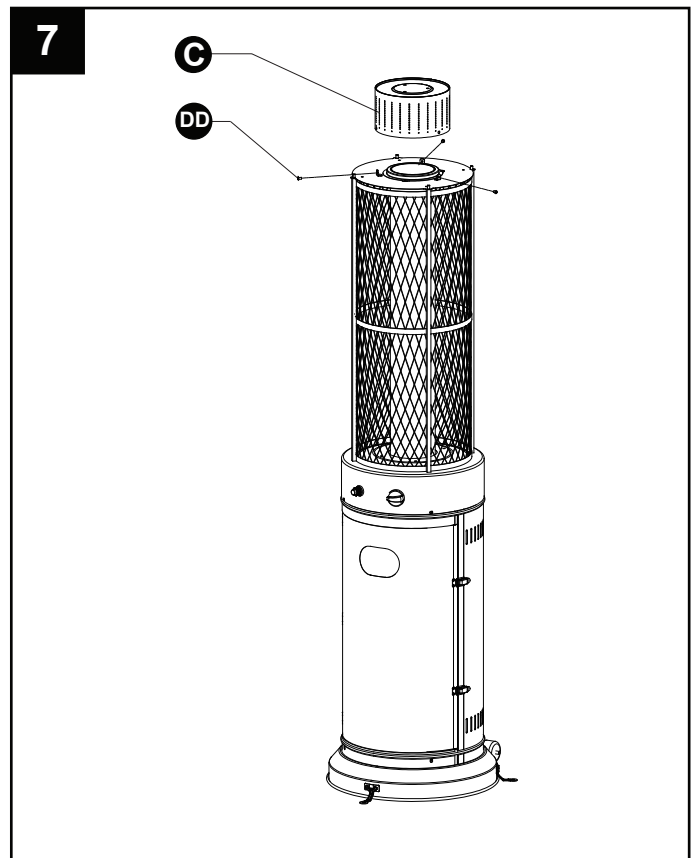


7. Assemble the mesh
Secure the mesh to the Heating Body using
3pcs screw M5X10.

Hardware Used

DD Screw M5 X 10  x 3

NN Philips
screwdriver  x 1



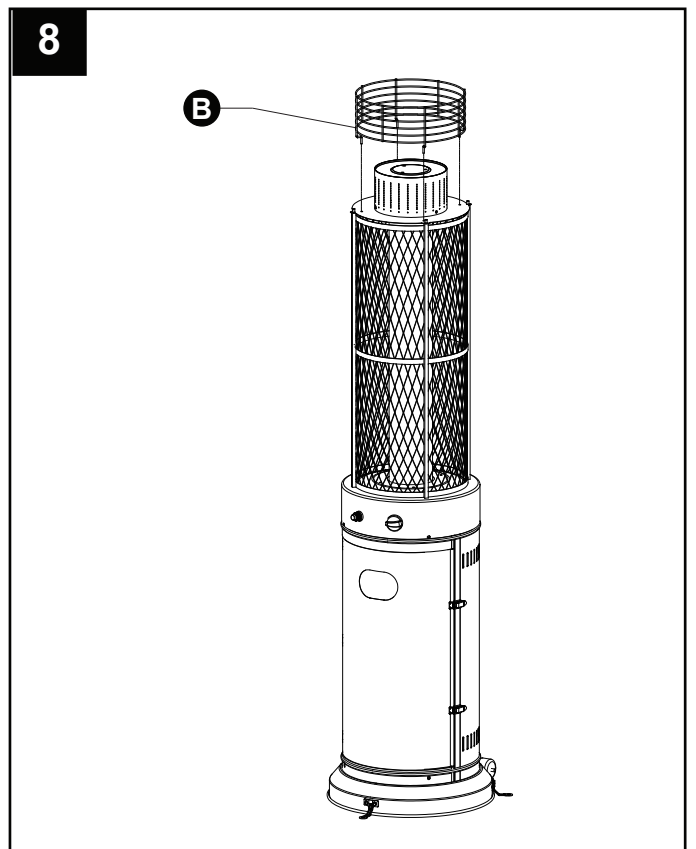
8. Assemble the upper protective mesh
to the heating body directly.

CAUTION: Do not hang clothing or any other flammable materials from the heater, or place on or near the heater. HOT! DO NOT TOUCH!

CAUTION-HOT SURFACE



HOT WHILE IN OPERATION
DO NOT TOUCH
KEEP CHILDREN, CLOTHING
FURNITURE AND FLAMMABLES AWAY


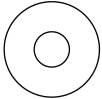
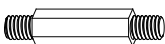


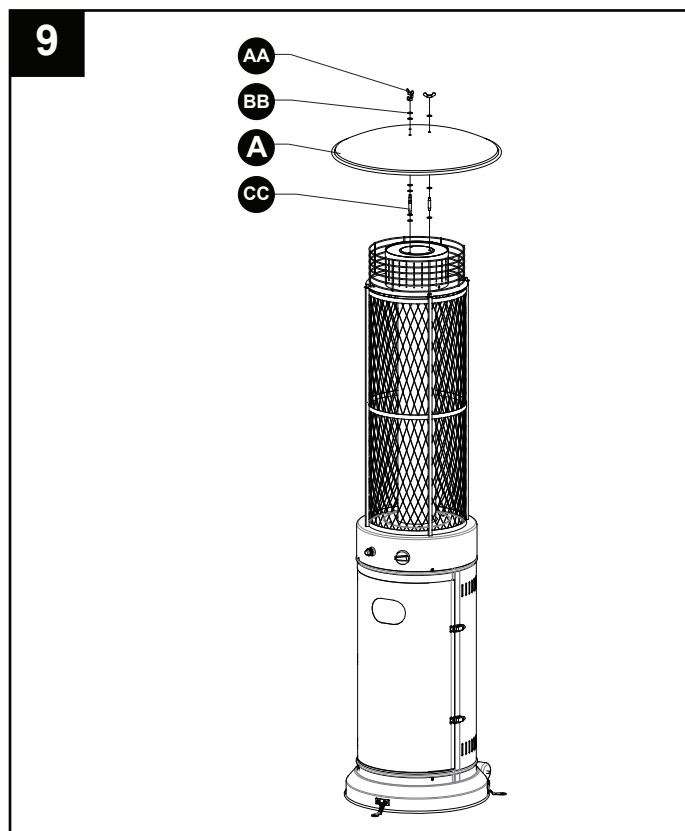
9. Assemble the reflector

a. Screw 3pcs stud to the top of mesh, using 3pcs washer Φ 6 to the bottom and 3pcs washer Φ 6 to the top.

b. Put the reflector on the stud and secure them using 3pcs wing nut and 3pcs washer.

Hardware Used

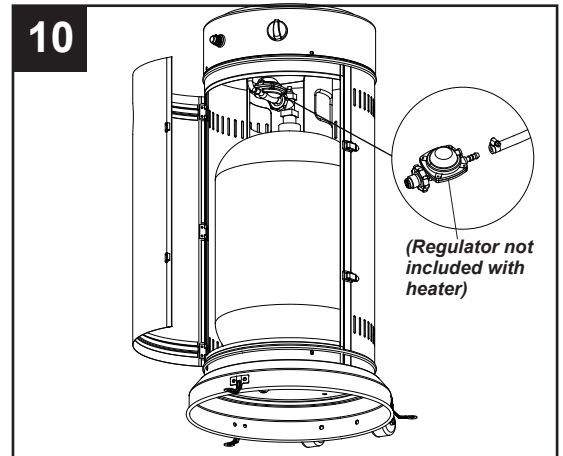
AA	Wing nut		x 3
BB	Washer Φ 6		x 9
CC	Stud		x 3



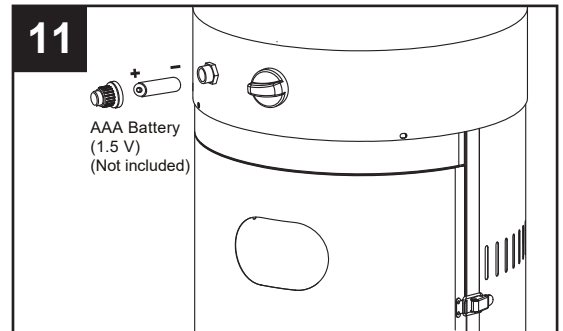
10. Connect the gas hose and regulator after that connect the regulator to the gas cylinder.

WARNING! Ensure the hose does not contact any high temperature surfaces, or it may melt and leak causing a fire.

After the cylinder is placed inside the heater, secure the cylinder with block belt tightly.



11. Unscrew the switch button, load small battery, tighten the switch button.



12. Leak Check.



WARNING! A leak test must be performed annually and each time a cylinder is hooked up or if a part of the gas system is replaced.



WARNING! Never use an open flame to check for gas leaks. Be certain no sparks or open flames are in the area while you check for leaks. Sparks or open flames will result in a fire or explosion, damage to property, serious bodily injury, or death.



Leak testing: This must be done before initial use, annually, and whenever any gas Components are replaced or serviced. Do not smoke while performing this test, and remove all sources of ignition. See Leak Testing Diagram for areas to check. Turn all burner controls to the off position. Turn gas supply valve on.

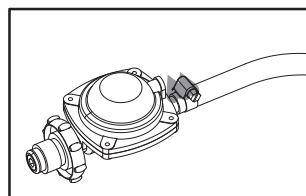


Brush a half-and-half solution of liquid soap and water onto all joints and connections of the regulator, hose, manifolds and valves.

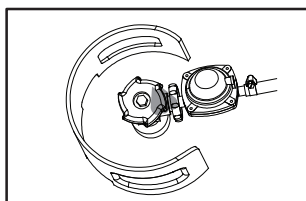


Bubbles will indicate a gas leak. Either tighten the loose joint or have the part replaced with one recommended by the Customer Care department and have the patio heater inspected by a certified gas installer.

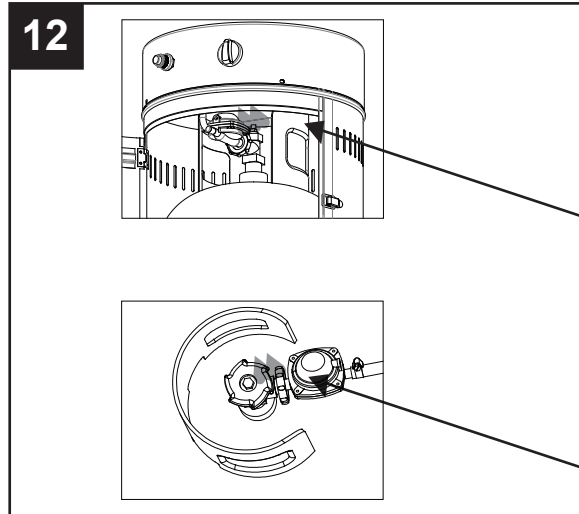
If the leak cannot be stopped, **immediately shut off the gas supply**, disconnect it, and have the patio heater inspected by a certified gas installer or dealer. Do not use the patio heater until the leak has been corrected.



Hose / Regulator connection



Regulator / Cylinder connection




PROBLEMS CHECK LIST


<u>PROBLEM</u>	<u>PROBABLE CAUSE</u>	<u>SOLUTION</u>
Pilot will not light	Gas valve may be OFF Tank fuel empty Opening blocked Air in supply system Loose connections	Turn the gas valve ON Refill LPG tank Clean or replace opening Purge air from lines Check all fittings
Pilot will not stay on	Debris around pilot Loose connections Thermocouple bad Gas leak in line Lack of fuel pressure	Clean dirty area Tighten connections Replace thermocouple Check connections Tank near empty. Refill LPG tank.
Burner will not light	Pressure is low Opening blocked Control not ON Thermocouple bad Pilot light assembly bent Not in correct location	Tank near empty. Refill LPG tank. Remove and clean Turn valve to ON Replace thermocouple Place pilot properly Position properly and retry

If the appliance is in case of any defaults or problems of assembly or use, please don't try to modify it by yourself, contact your supplier or distributor to solve it.

If you have any questions, please contact our customer care center, Our contact details are below:

US

 001-877-644-9366

 customerservice@aosom.com

Imported by Aosom LLC
7777 Center Ave. Suite 430
Huntington Beach, CA 92647-9998 USA
MADE IN CHINA

Wenn Sie Fragen haben, wenden Sie sich bitte an unser Kundendienstzentrum, Unsere Kontaktdaten stehen unten:

DE


 +49 40 87408465

 service@aosom.de

ADRESSE DES IMPORTEURE/REP:
MH Handel GmbH
Wendenstraße 309
D-20537 Hamburg
Germany
IN CHINA HERGESTELLT

If you have any questions, please contact our customer care center, Our contact details are below:


CA

 416-792-6088

 customerservice@aosom.ca

Imported by Aosom Canada Inc.
7270 Woodbine Avenue, Unit 307, Markham,
Ontario Canada L3R 4B9
MADE IN CHINA

Si vous avez la moindre question, veuillez contacter notre centre d'assistance à la clientèle, Nos coordonnées sont les suivantes:


 416-792-6088

 customerservice@aosom.ca

Importé par Aosom Canada Inc.
7270 Woodbine Avenue, unité 307,
Markham, Ontario Canada L3R 4B9
FABRIQUÉ EN CHINE

In caso di dubbio, si prega di contattare il nostro centro assistenza clienti, I nostri dettagli di contatto sono di seguito:

IT


 0039-0249471447

 clienti@aosom.it

IMPORTATO DA/REP:
AOSOM Italy srl
Centro Direzionale Milanofiori
Strada 1 Palazzo F1
20057 Assago (MI)
P.I.: 08567220960
FATTO IN CINA

Si tiene alguna pregunta, comuníquese con nuestro Centro de Atención al Cliente, Nuestros datos de contacto son los siguientes:


ES

 0034-931294512

 atencioncliente@aosom.es

IMPORTADOR/REP:
SPANISH AOSOM, S.L.
C/ROC GROS, N°15.08550, ELS HOSTALETES DE
BALENYÀ, SPAIN.
B66295775
HECHO EN CHINA

Se tiver alguma dúvida, por favor contacte o nosso Centro de Atendimento ao Cliente, Os nossos dados de contacto são os seguintes:


 0034-931294512

 info@aosom.pt.

IMPORTADOR/REP:
SPANISH AOSOM, S.L.
C.ROC GROS N.15, 08550. ELS HOSTALETES DE
BALENYÀ
FEITO NA CHINA

If you have any questions, please contact our customer care center, Our contact details are below:


UK

 0044-800-240-4004

 enquiries@mhstar.co.uk

IMPORTER ADDRESS:
MH STAR UK Ltd
1 Northampton Cross Logistics Park
Northampton Cross Road
Northampton
NN4 9FH
MADE IN CHINA

Se tiver alguma dúvida, por favor contacte o nosso Centro de Atendimento ao Cliente, Os nossos dados de contacto são os seguintes:


 0034-931294512

 info@aosom.pt.

IMPORTADOR/REP:
SPANISH AOSOM, S.L.
C.ROC GROS N.15, 08550. ELS HOSTALETES DE
BALENYÀ
FEITO NA CHINA

Si vous avez la moindre question, veuillez contacter notre centre d'assistance à la clientèle, Nos coordonnées sont les suivantes:

FR

 0033-1-84166106

 aosom@mhfrance.fr

Importé par/ REP:
MH FRANCE
2 Rue Maurice Hartmann
92130 Issy Les Moulineaux
France
FABRIQUÉ EN CHINE



FR

**DONNEZ
OU
RECYCLEZ**



OU



OU



ASSOCIATION

LIVRAISON

DÉCHÈTERIE

Adresses sur quefairedemesdechets.fr