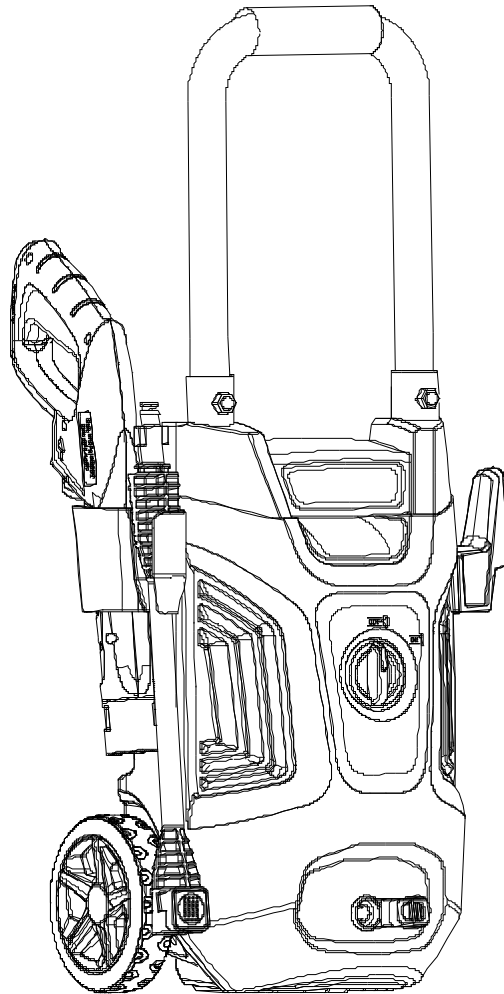


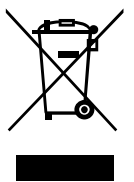


IN241000644V02\_UK

**84H-375V70**



## HIGH PRESSURE CLEANER



**IMPORTANT, RETAIN FOR FUTURE REFERENCE: READ CAREFULLY.**

**CAUTION: Read the instructions before using the machine.**

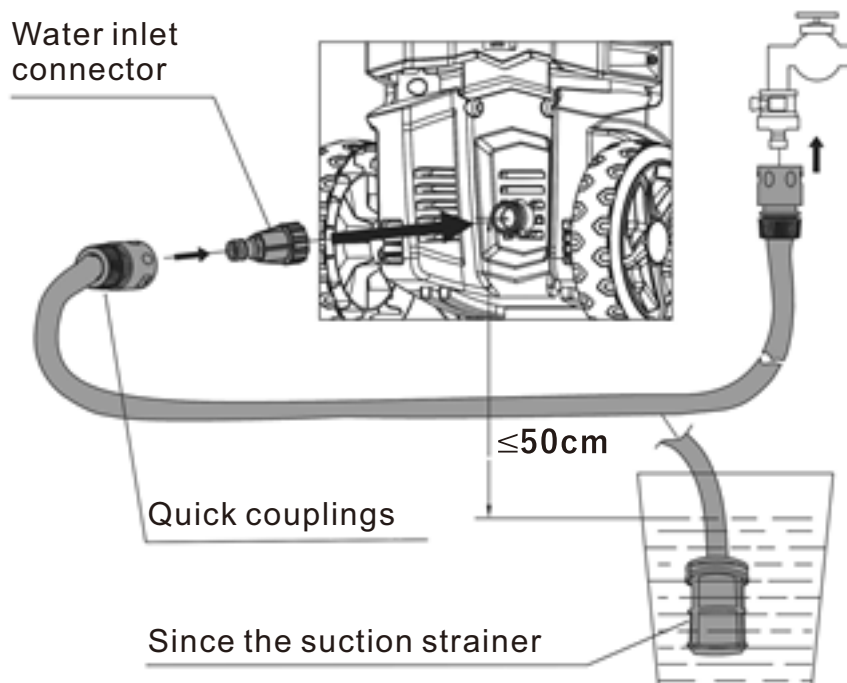
## QUICK GUIDE

### • Connect The Water Hose

1. Attach the hose connector to pressure washer. Before attaching the connector to the male fitting, remove the plastic cap, which is inserted onto the male fitting on the pressure washer before shipping. This plastic cap can be discarded once removed. After both components have been installed, attach the garden hose with connector screw on the pressure washer. Connect the garden hose to the waterspout.
2. Connect one end of the inlet pipe to the quick coupling, and the other end of the inlet pipe to the filter assembly, and put it in the bucket to self-prime.

**Note:** Water level to pump inlet must not be  $>50\text{cm}$ .

Filter screen must remain submerged below water surface.



### • Steps To Use

1. Connecting Water Source Procedure:

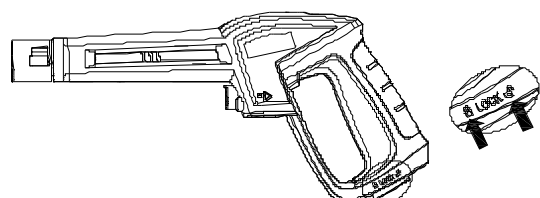
Turn on water tap → Pull the gun trigger → Switch on power.

2. Self-Priming Operation (without nozzle attached):

Pull the gun trigger → Switch on power → wait for water to flow out from the gun head, and then connect the nozzle to use.

### • Gun Safety Lock

This pressure cleaner is equipped with a gun trigger safety lock. When not using the pressure cleaner, use the safety lock to keep from accidentally engaging the high pressure spray.

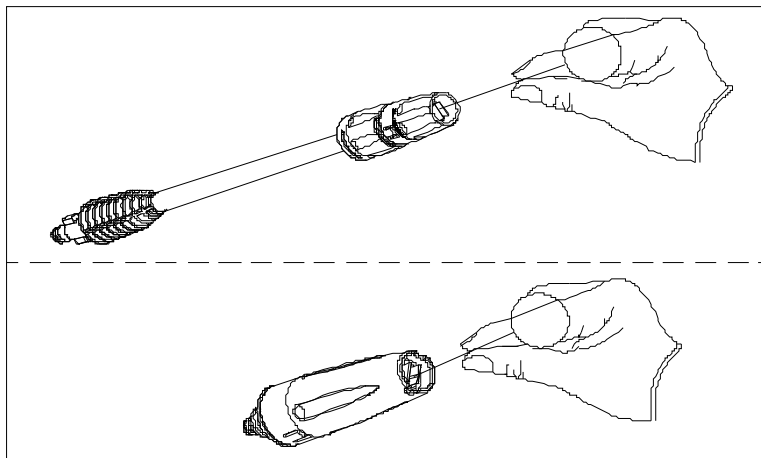


## • Shutting Down

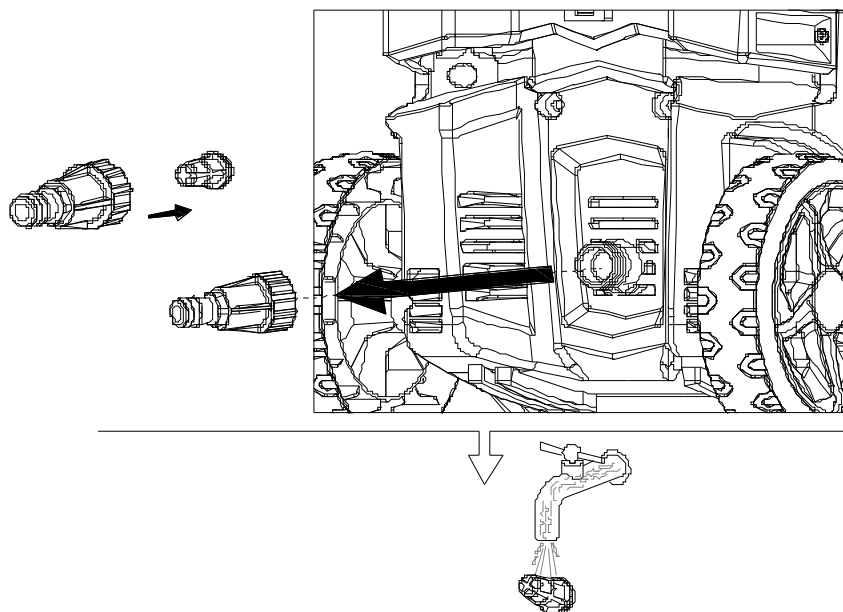
1. Turn the switch to the OFF (0) position and unplug the power cord from the outlet.
2. Turn off the water source.
3. Hold the trigger to release water pressure.
4. Disconnect the garden hose from the water inlet on the unit.
5. Disconnect the high-pressure hose connection on the trigger gun handle.
6. Release the trigger and engage the gun safety lock.

## • Cleaning

1. Clean the nozzle with the needle clean-out tool provided. Remove the spray wand from the gun; remove any dirt from the nozzle hole and rinse.



2. The water inlet filter must be inspected regularly, so as to avoid blockage and restriction in the water supply to the pump.



# Contents

<u>Section</u>	<u>Page</u>
Important Safety Precautions, Tips	4-7
Warnings, and Usage Instructions	7-10
Assembly Instructions	11-14
Operating Instructions	15-17
Using Detergents	17-18
Clean-up and Storage	19
Cleaning Tips	20
Technical data	21
Troubleshooting Tips	22
EC Declaration	23

## IMPORTANT SAFETY TIPS

**Never** point the high-pressure nozzle at people or animals.

**Never** drink alcohol or use drugs while operating the pressure cleaner.

**Never** operate the pressure cleaner while standing in water.

**Never** touch the electrical plug with wet hands.

**Never** let electrical connections rest in water.

**Never** operate pressure cleaner without the water turned on.

**Never** use hot water with this pressure cleaner.

# IMPORTANT SAFETY INSTRUCTIONS

## Original instructions

- Do not use the machine if a supply cord or important parts of the machine are damaged, e.g. safety devices, high pressure hoses, trigger gun.
- Always switch off the mains disconnecting switch when leaving the appliance unattended.
- The appliance has been designed for use with the cleaning agent supplied or recommended by the manufacturer. The use of the other cleaning agents or chemicals may adversely affect the safety of the appliance.
- High-pressure jets can be dangerous if subject to misuse. The jet must not be directed at persons, live electrical equipment or the machine itself.
- Do not direct the jet against yourself or others in order to clean clothes or footwear. Do not use the appliance within range of persons unless they wear protective clothing.
- Wear appropriate Personnel Protection Equipment (PPE) while operating the appliance.
- The appliance must not be operated by children or untrained personnel.
- This appliance is not intended for use by persons (including children) with reduced physical, sensory or mental capacities, or lacking experience and knowledge.
- Children must not play with this appliance.
- Create stability for the appliance prior to any work on or with the appliance to prevent accidents damage.
- The water jet that is emitted from the high pressure nozzle results in a repulsion power acting on the hand spray gun. Make sure that you have a firm footing and are also holding the hand spray gun and spray lance firmly.
- Do not operate the appliance at temperatures below 0°C.
- Risk of explosion! Do not spray flammable liquids.
- Water that has flown through backflow preventers is considered to be non-potable.
- High-pressure hoses, fittings and couplings are important for the safety of the appliance. Only use high-pressure hoses, fittings and couplings recommended by the manufacturer.
- To ensure applicable safety, use only original spare parts from the manufacturer or approved by the manufacturer.
- If the supply cord is damaged, it must be replaced by the manufacturer, its service agent or similarly qualified persons in order to avoid a hazard.
- **WARNING!** The appliance is not designed for connecting to tap water. Use a backflow preventer in accordance with EN12729 type BA or EN 61770 with a one-way valve .
- **WARNING:** the machine shall be disconnected from its power source during cleaning or maintenance and when replacing parts or converting the machine to another function, by removing the plug from the socket-outlet.

- **WARNING:** Inadequate extension cords can be dangerous. If an extension cord is used, it shall be suitable for outdoor use, and the connection has to be kept dry and off the ground. It is recommended that this is accomplished by means of a cord reel which keeps the socket at least 60 mm above the ground.
- **WARNING:** Depending on the application, shielded nozzles can be used for high pressure cleaning, which will reduce the emission of hydrous aerosols dramatically. However, not all applications allow the use of such a device. If shielded nozzles are not applicable for the protection against aerosols, a respiratory mask of class FFP 2 or equivalent may be needed, depending on the cleaning environment.
- During the use of high-pressure cleaners aerosols can develop. Inhaling aerosols can cause health damage.
  
- The high pressure jet must not be directed at persons, animals, live electrical equipment or at the appliance itself.
- The appliance must not be directly connected to the public drinking water network.
- For protection against injury, wear ear defenders and safety goggles.
- Wear safety gloves during use to protect hands.
- Wear non-slip footwear that will protect your feet and improve your balance on slippery surfaces.
- Sound power level is 105 dB(A)

# IMPORTANT SAFETY PRECAUTIONS

**WARNING:** When using this product, basic precautions should always be followed, including the following:

1	Read all instructions before using the product. Save all safety instructions.
2	Do not operate the pressure cleaner when fatigued or under the influence of alcohol or drugs.
3	Risk of injection or injury – do not direct the high pressure water stream at any people or animals.
4	Do not allow children to operate the pressure cleaner at any time.
5	To reduce the risk of injury, close supervision is necessary when the pressure cleaner is used near children.
6	Know how to stop the unit and reduce pressure immediately. Be completely familiar with the controls.
7	Stay alert – always be aware of where you are directing the high pressure spray
8	Keep cleaning area clear of all people.
9	Keep good footing and balance at all times – do not overreach or stand on an unstable support.
10	The work area should have adequate drainage to reduce the possibility of a fall due to slippery surfaces.
11	Follow the maintenance instructions specified in the manual.
12	To reduce the risk of electrocution, keep all connections dry and off the ground. Do not touch plug with wet hands.

# GENERAL SAFETY PRECAUTIONS

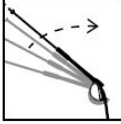

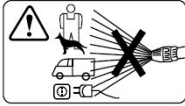


1	Intended for outdoor household use only.
2	High-pressure hose can develop leaks from wear, abuse, kinking etc. Do not use a damaged hose.
3	Do not use the pressure cleaner in areas near combustible materials, combustible fumes, or dust.
4	Some chemicals or detergents may be harmful if inhaled or ingested causing severe injury. Use a respirator or mask whenever there is a chance that vapors may be inhaled. Read all instructions included with the mask so you are certain the mask will provide the necessary protection against inhaling harmful vapors.

5	Before starting the pressure cleaner in cold weather, check all of the parts of the equipment and be sure that ice has not formed. Do not store the unit anywhere that the temperature will fall below 0°C (32°F).
6	<b>DO NOT MAKE ANY MODIFICATIONS TO ANY OF THE COMPONENTS!</b> Units with broken or missing parts, or without the protective housing or covers should <b>NEVER</b> be operated
7	Keep the high-pressure hose connected to the pressure cleaner and the spray gun while the system is pressurized. Disconnecting the hose while the unit is pressurized is dangerous, and may cause injury.
8	Do not leave the pressure cleaner unattended while the power switch is ON.
9	Keep water spray away from electrical wiring or fatal electric shock may result.

## SYMBOLS

The labels on your tools and manual may show symbols. These represent important information about the product or instruction on its use.

	Indicates a potential personal injury hazard.
	Double-insulated construction.
	Do not expose to rain or use in damp locations.
	To reduce the risk of injury, user must read and understand operator's manual before using this product.
	Always wear safety goggles or safety glasses with side shields and as necessary, a full face shield when operating this product.
	To reduce the risk of injection or injury, never direct a water stream towards people or pets or place any body part in the stream. Leaking hoses and fittings are also capable of causing injection injury. Do not hold hoses or fittings.

	<p>To reduce the risk of injury from kickback, hold the spray lance securely with both hands when the machine is on.</p>
	<p>Failure to use in dry conditions and to observe safe practices can result in electric shock.</p>
	<p>Warning! Never point the gun to human, animals, the machine body, power supply or any electric appliances.</p>
	<p>Machine not intended to be connected to the potable water mains.</p>
	<p>This marking indicates that this product should not be disposed with other household wastes throughout the EU. To prevent possible harm to the environment or human health from uncontrolled waste disposal, recycle it responsibly to promote the sustainable reuse of material resources. To return your used device, please use the return and collection systems or contact the retailer where the product was purchased. They can take this product for environmentally safe recycling.</p> <p>The following applies to the German market:</p> <p>When purchasing a new device, you have the right to return the old device to your dealer. Dealers of electrical and electronic devices with a sales area of at least 400 square meters and food retailers with a sales area of at least 800 square meters who regularly sell electrical and electronic devices are obliged to take back old devices free of charge, even if you do not purchase a new device, if the dimension of the old device does not exceed 25 cm. The importer offers you return options directly in the shops and markets. Please also contact your dealer for information on local return options.</p> <p>If you old device contains personal data, you are responsible for deleting it before returning it.</p> <p>If this is possible without destroying the old device, remove the old batteries or rechargeable batteries and lamps before returning the old device for disposal and separate them for collection.</p> <p>If the batteries are permanently installed, indicate when disposing the device that it contains a battery.</p> <p>Contact your local municipality or city administration if you are looking for other ways to dispose of old devices.</p>

## SERVICING OF A DOUBLE-INSULATED APPLIANCE

In a double-insulated product, two systems of insulation are provided instead of grounding.

No means of grounding is provided on a double-insulated product, nor should a means for grounding be added to the product.

Servicing a double-insulated product requires extreme care and knowledge of the system, and should be done only by qualified service personnel.

Replacement parts for a double-insulated product must be identical to the parts they replace. A double-insulated product is marked with the words "DOUBLE INSULATION" or "DOUBLE INSULATED".

This symbol  may also be marked on the product.

## USE OF EXTENSION CORDS

Use of an extension cord with this product is NOT RECOMMENDED.

If you must use an extension cord, use only extension cords that are intended for outdoor use.

These cords are identified by a marking "ACCEPTABLE FOR USE WITH OUTDOOR APPLIANCES, STORE INDOORS WHILE NOT IN USE."

Use only extension cords having an electrical rating not less than the rating of the product. Examine extension cord before use.

**DO NOT USE DAMAGED EXTENSION CORDS!**

Do not pull the cord to disconnect from receptacle, always disconnect by pulling on plug.

Keep cord away from heat and sharp edges.

Always disconnect the extension cord from the receptacle before disconnecting the product from the extension cord.

### WARNING

- To reduce the risk of electrocution, keep all connections dry and off the ground. Do not touch the plug with wet hands.
- Do not use the appliance if a supply cord or important parts of the appliance are damaged, e.g. safety devices, high pressure hoses, trigger gun.
- If an extension cord is used, the plug and socket must be of watertight construction.
- **WARNING:** Inadequate extension cords can be dangerous.
- Remove the plug from the socket-outlet during cleaning or maintenance and when replacing parts or converting the machine to another function.

# PROPER USE OF THE PRESSURE CLEANER

**THIS UNIT IS INTENDED FOR USE WITH COLD WATER ONLY!  
DO NOT USE HOT WATER IN THIS PRESSURE CLEANER.**

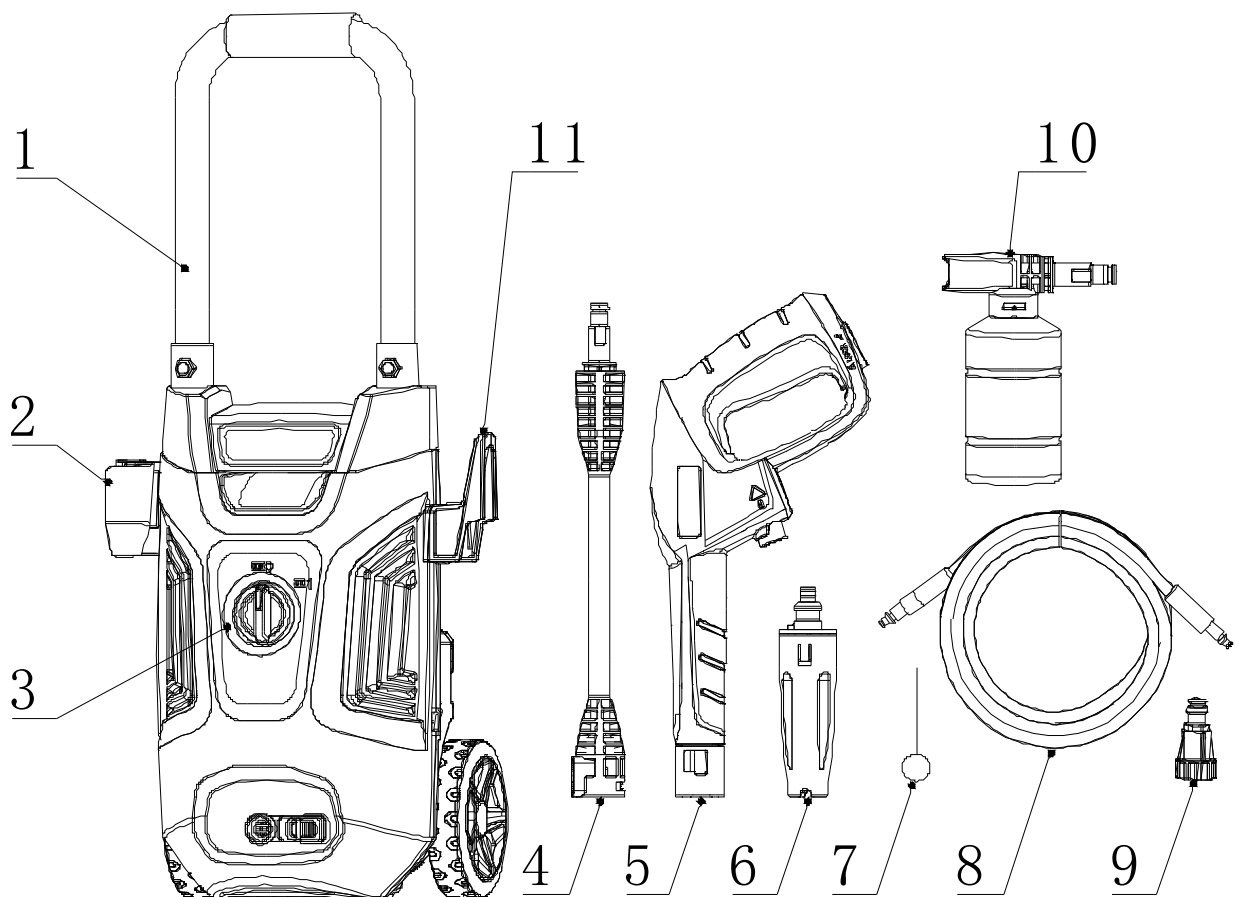
1	Operate the pressure cleaner at no more than the fluid pressure rated for the pressure cleaner. Never run the pressure cleaner without a water supply. Running the unit without a water supply will cause irreparable damage to the unit.
2	Make sure that the water supply you use for the pressure cleaner is not dirty, sandy, and does not hold any corrosive chemical products. Using a dirty water supply will compromise the long life of the pressure cleaner.
3	CAUTION - The pressure cleaner can be used for a variety of applications including washing cars, boats, patios, decks, garages etc. where high pressure is necessary to remove dirt and debris. <b>High-pressure water flow can damage the work surface if not used properly!</b> See the section titled "Operating Instructions" for more details. Always test the spray in an open area first.
4	NEVER move the unit by pulling on the high pressure hose. Use the handle provided on the top of the unit.
5	Always hold the high pressure gun and wand with two hands. Keep one hand on the gun/trigger, while supporting the wand with the other hand (see diagram).
6	When dispensing detergent, the pressure cleaner applies detergent to the cleaning area at low pressure only. Once the detergent has been applied, spray the detergent off of the work area by using the adjustable nozzle.

# ASSEMBLY INSTRUCTIONS

## Unpacking The Carton

After opening the carton, please remove all parts and check them against the following list of components that are included:

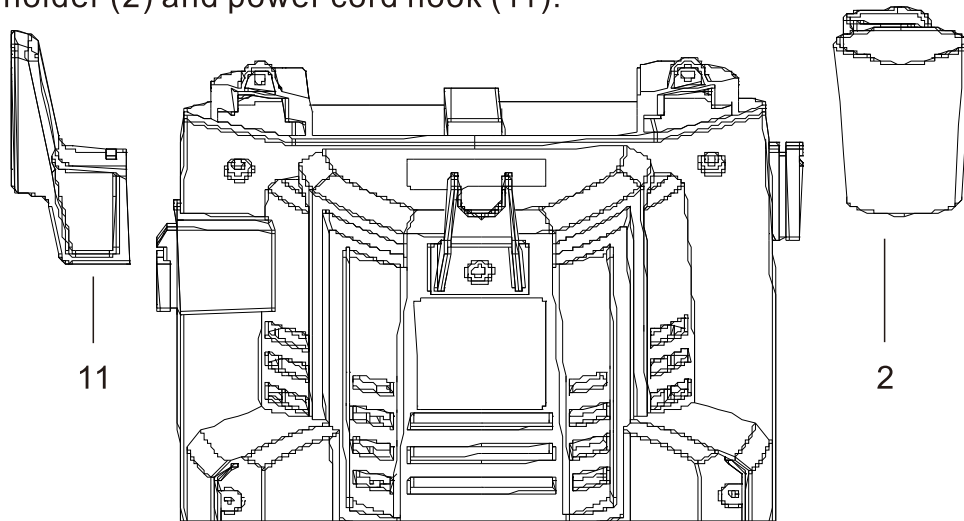
1	Handle	7	Cleaning pin
2	Gun Holde	8	High Pressure Hose
3	Switch	9	Water inlet connector
4	Extension wand	10	Detergent bottle
5	Gun	11	Power cord hook
6	Nozzle	12	



Due to transportation and packaging, some of the accessories may be supplied disassembled. Please follow the assembly instructions.

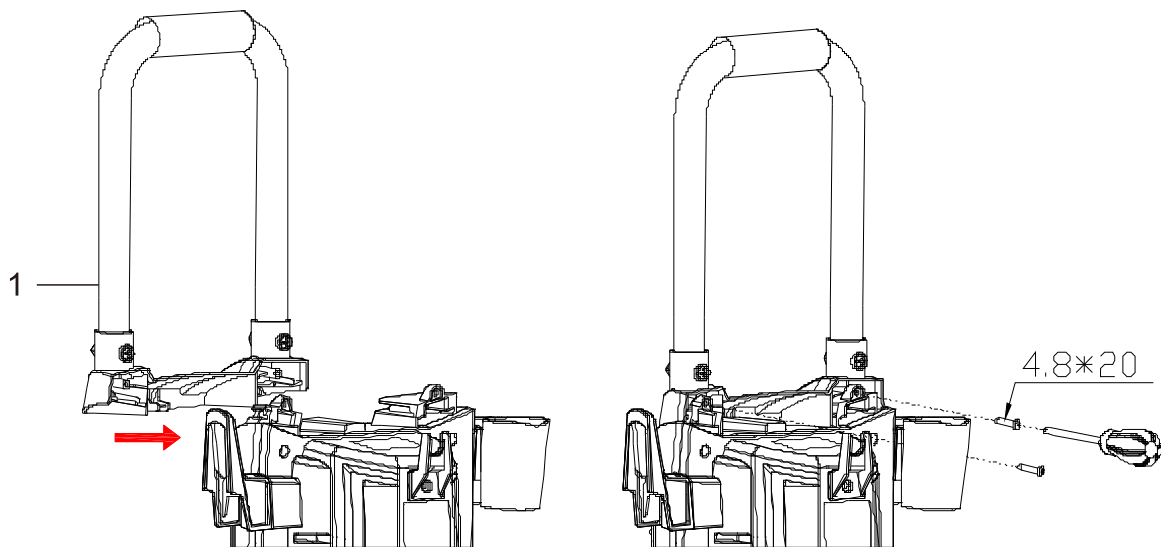
### Step 1

Install gun holder (2) and power cord hook (11).



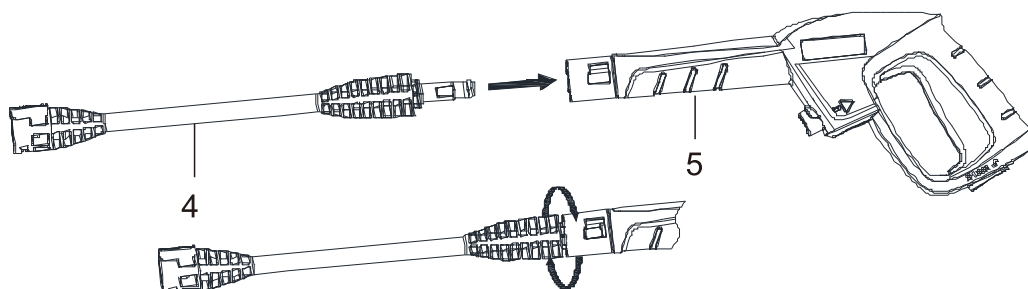
### Step 2

Screw the washer handle (1) tight to the main body as below fig. The screws will be packed together with the main body, pls kindly check and find it when unpacked.

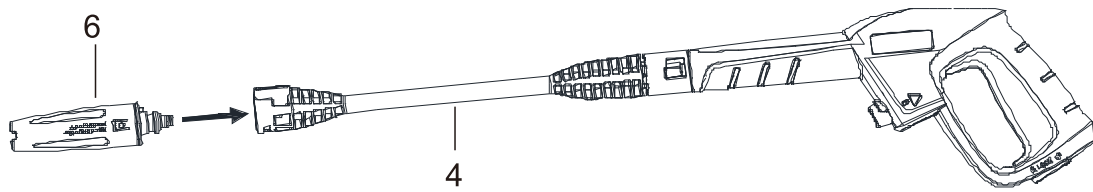


### Step 3

A, Insert the extension wand (4) into the gun (5). Push and turn the extension wand (4) clockwise onto the gun (5) until hand tight to lock it in place. When the pieces are joined properly, you cannot separate the two components by pulling straight out on. All attachments must be inserted into the gun for proper use.

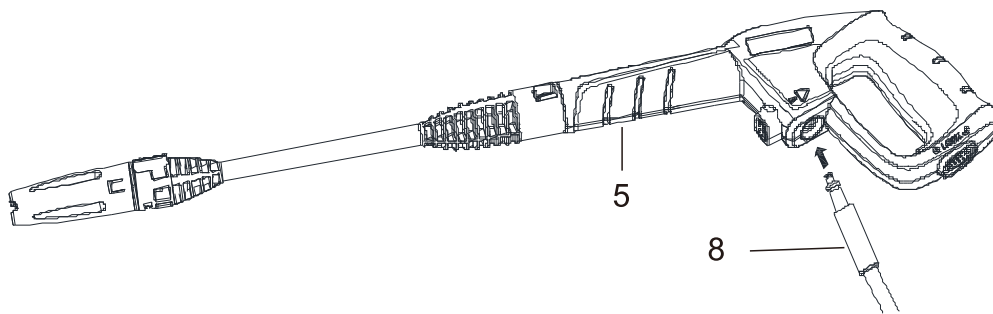


B, Align the lug at the top of the nozzle (6) with the lug insert on the top of the extension wand (4). Push the adjustable fan nozzle into the end of the extension wand. An audible click will be heard when it locks into place.



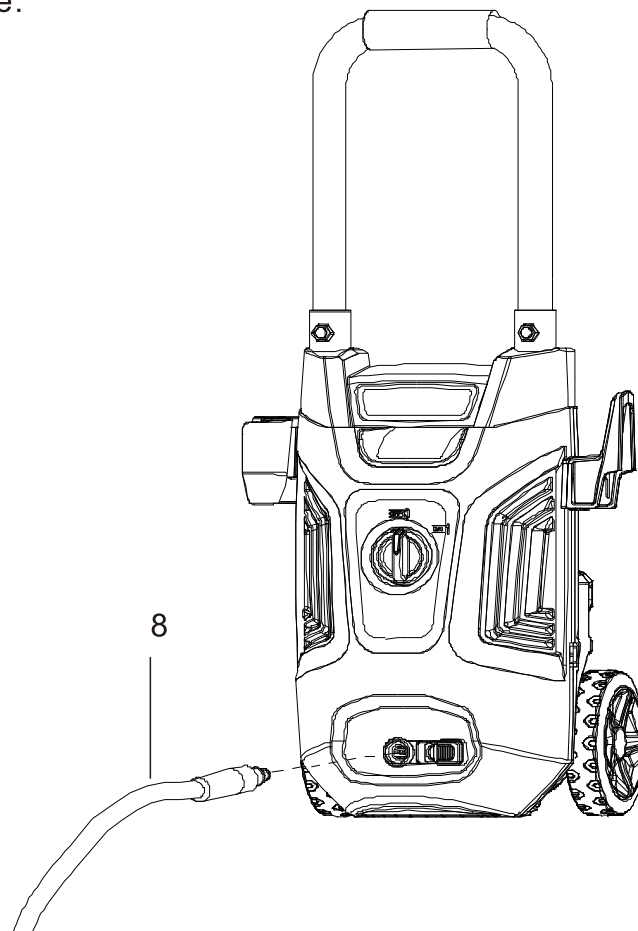
### Step 4

Attach the high pressure hose (8) to the gun (5). Insert and quick-connect it tight to avoid leakage. When the pieces are joined properly, you cannot separate the two components by pulling straight out from the gun (5). Push the hose lock button, then you can pull out high pressure washer.



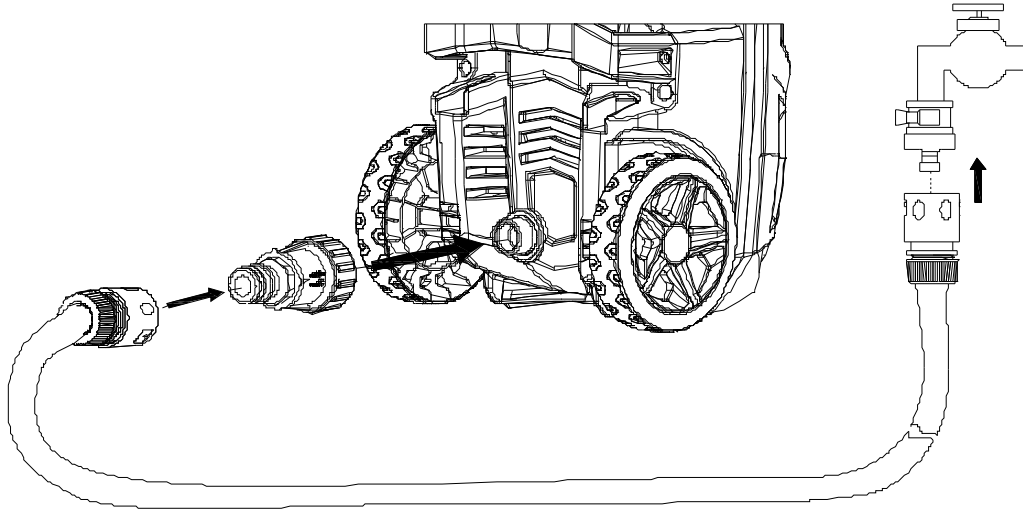
### Step 5

Attach the high pressure hose (8) to the pressure cleaner water outlet. Insert and quick-connect it tight to avoid leakage. When the pieces are joined properly, you cannot separate the two components by pulling straight out from the water outlet. Push the "Button" according to the direction of arrow, then you can pull out the high pressure hose.



## Step 6

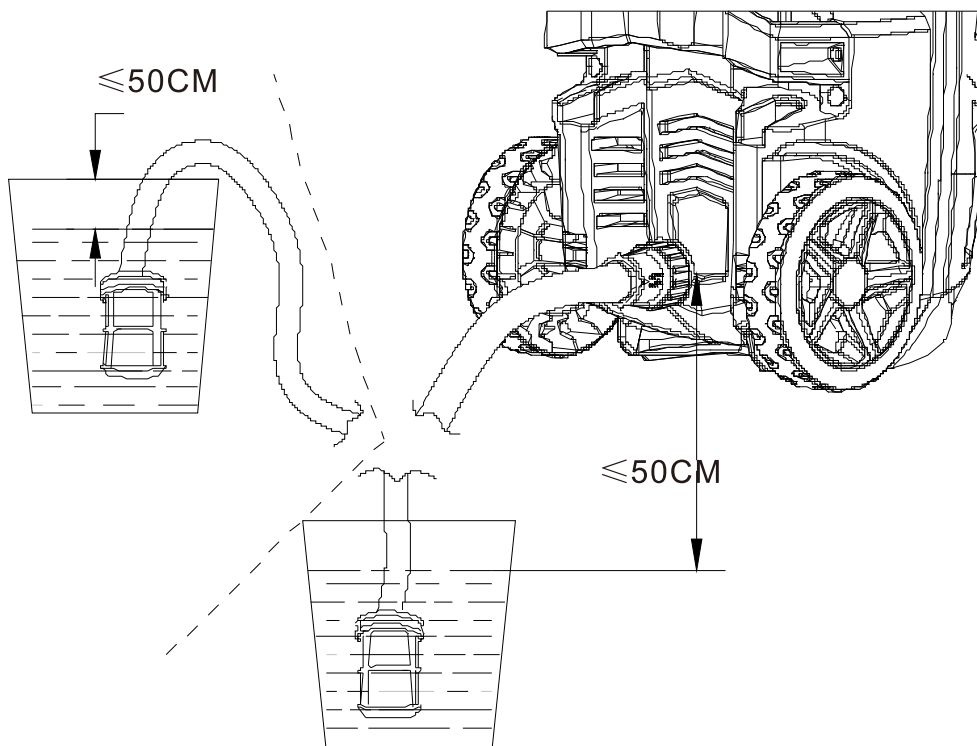
Attach the hose connector to pressure washer. Before attaching the connector to the male fitting, remove the plastic cap, which is inserted onto the male fitting on the pressure washer before shipping. This plastic cap can be discarded once removed. After both components have been installed, attach the garden hose with connector screw on the pressure washer. Connect the garden hose to the waterspout.



## Step 7

If the water source is lower than the machine inlet, the water drop to the machine inlet shall not be greater than 50 cm.

If the water source is higher than the machine inlet, the water surface shall not exceed 50 cm. to the top surface of the water container at this time cannot install sprinkler, after starting the machine, wait for water to flow out from the gun head, and then connect the nozzle to use.



# OPERATING INSTRUCTIONS

**THIS UNIT IS INTENDED TO BE USED WITH COLD WATER ONLY! DO NOT USE HOT WATER IN THIS PRESSURE CLEANER!**

## Starting Up

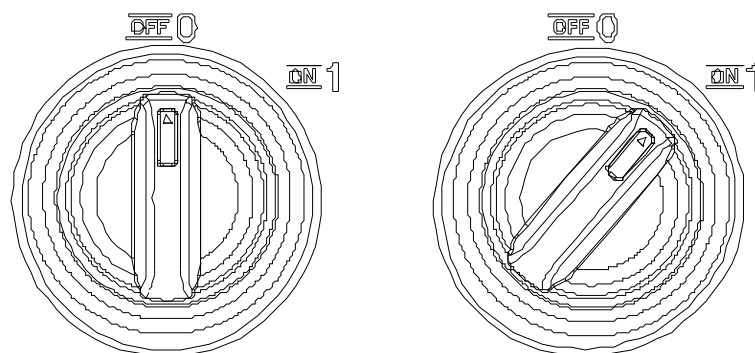
After connecting the pressure cleaner to your cold water supply, proceed as follows:

- Make sure that the ON/OFF switch is in the OFF position.
- Connect the garden hose to the inlet fitting.
- Insert the adjustable spray nozzle into the gun as per assembly step #3.
- Connect the high pressure hose to the gun, as per assembly step #4.
- Connect the high pressure hose to the high pressure outlet fitting as per assembly step #5.
- Connect the garden hose to the high pressure washer inlet fitting as per assembly step #6.
- Open the water supply valve completely.
- Before turning the unit on, press the gun trigger to bleed all the remaining air out of the pump and hose.
- Start the pressure cleaner by turning the on/off switch to the on position and squeeze the trigger. REMINDER: Motor does not run continuously, only when the trigger is squeezed.

**WARNING – RISK OF INJECTION! Unit will start spraying when trigger is squeezed. When turning the unit off after use, high pressure still exists inside the hose and unit. Point the gun in a safe direction and discharge the excess pressure. NEVER direct the high pressure water stream at people or animals.**

## Automatic On/Off

The pressure cleaner is equipped with an automatic on/off switch. The pressure cleaner will only run when the power switch is in the ON position and the trigger on the gun is squeezed. When you release the trigger to stop spraying water through the gun, the motor on the pressure cleaner will automatically shut off. Simply squeeze the trigger again to resume using the cleaner. To stop using the pressure cleaner, release the trigger and switch the unit to the OFF position. The unit should be turned completely OFF while not in use or while unattended.

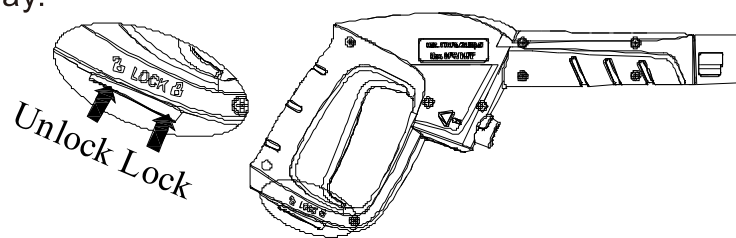


## Bleeding the Gun

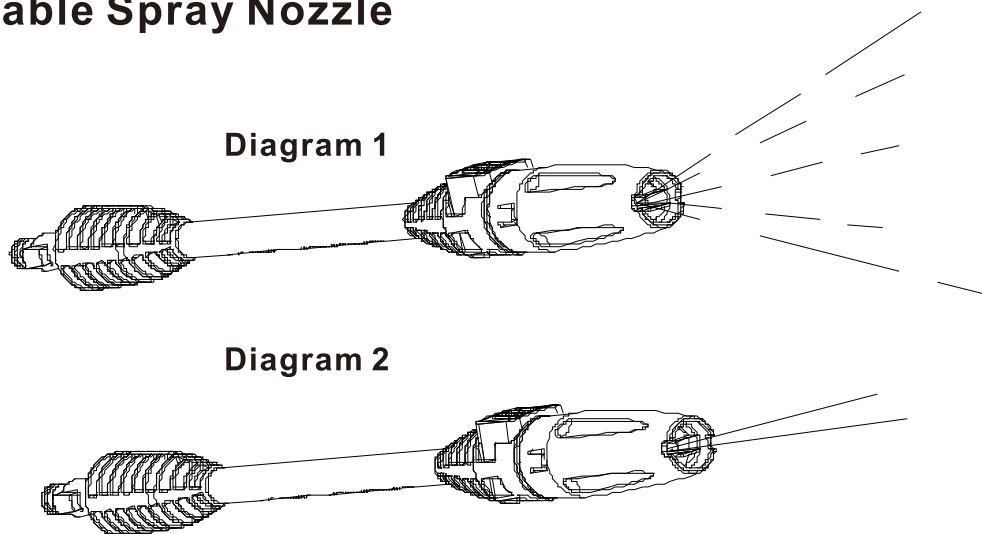
It is very important to bleed the gun before using the pressure cleaner. Refer to the “Assembly Instructions” to assemble the pressure cleaner. To bleed the gun, simply connect the garden hose to the pressure cleaner and squeeze the trigger before turning the electrical supply on. This allows any air trapped inside the pressure cleaner and gun to be removed before using the unit. Continue holding trigger for approximately one minute to allow any excess air out of the unit. Water will flow through the gun at low pressure during this procedure. For more bleeding tips, see the section titled “Operating Instructions.”

## Gun Safety Lock

This pressure cleaner is equipped with a gun trigger safety lock. When not using the pressure cleaner, use the safety lock to keep from accidentally engaging the high pressure spray.



## Adjustable Spray Nozzle

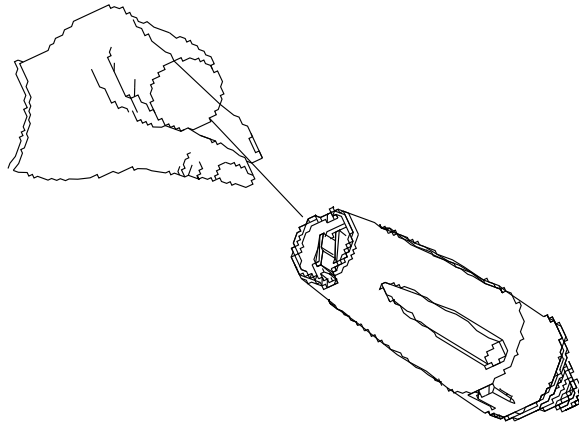


The adjustable nozzle will allow you to use any variety of spray patterns from a full fan spray (Diagram 1) to a direct stream spray (Diagram 2). When using the pressure washer to clean wood decks, siding, vehicles etc., always start using the fan spray and begin spraying from a minimum 36” away to avoid damaging the surface of the material you are cleaning. Always begin by spraying in a testing area free and clear of people and objects.

- Warning: High pressure jets can be dangerous if subject to misuse. The jet must not be directed at persons, live electrical equipment or the appliance itself.
- **Do not direct the jet against yourself or others in order to clean clothes or foot-wear.**

## Unblock lance

- When the nozzle is clogged, it will cause the pump to build pressure and may cause unit to surge, you can clean the nozzle inserting needle into the tip to rid of the deposits.
- For the adjustable nozzle, you can lubricate the nozzle collar (high pressure to low pressure) by using non-water soluble grease regularly.

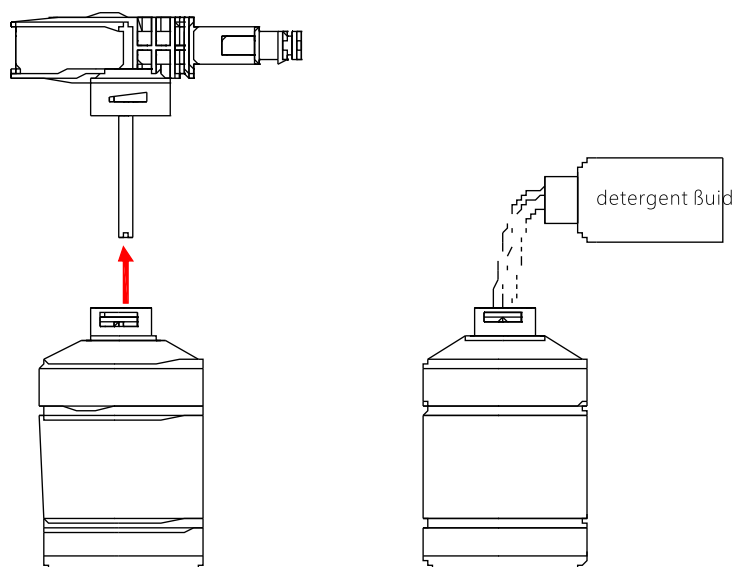


## USING DETERGENTS

**THE PRESSURE CLEANER WILL DISPENSE DETERGENT AT LOW PRESSURE. USE THE ADJUSTABLE SPRAY NOZZLE TO RINSE CLEAN. BIODEGRADABLE DETERGENTS ARE SPECIFICALLY FORMULATED TO PROTECT THE ENVIRONMENT AND YOUR PRESSURE CLEANER. THESE DETERGENTS WILL NOT CLOG THE FILTER AND WILL PROTECT THE INTERNAL PARTS OF THE PRESSURE CLEANER FOR A LONGER LIFE.**

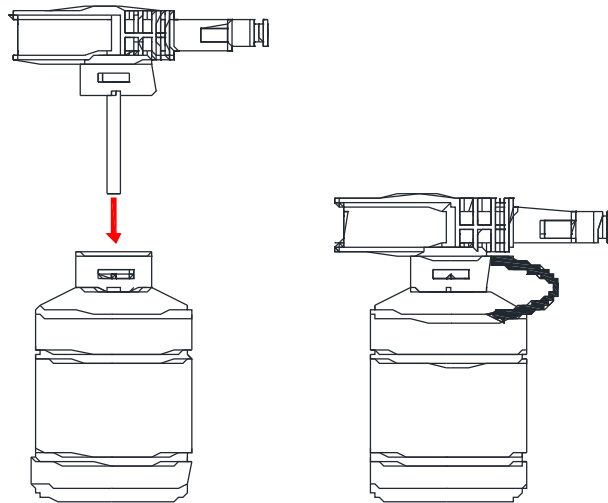
### Step 1

Separate the nozzle from the detergent container by turning the detergent reservoir counter clockwise and separating the two components.



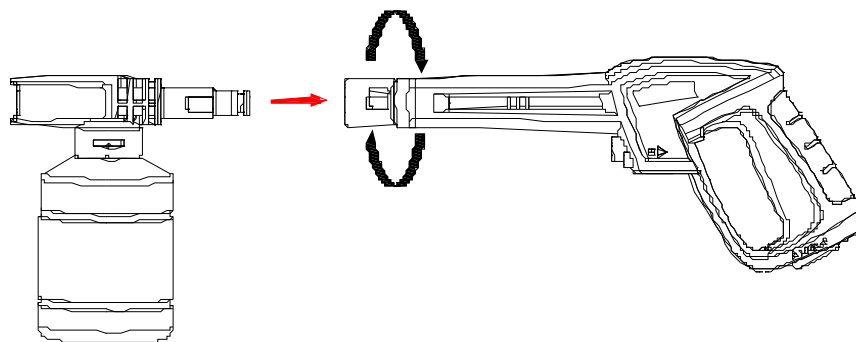
## Step 2

Fill the detergent container with approved detergent. Pour the detergent slowly into the reservoir using a funnel. Re-attach the two components by re-inserting the nozzle back onto the detergent reservoir and turning clockwise.



## Step 3

To apply the detergent cleanser to your working area, attach the detergent nozzle to the gun. Turn the pressure cleaner switch to the ON position. Pull the trigger to operate the unit. The pressure cleaner will mix the detergent with water. Do not allow the detergent to dry on the object you are cleaning.



### **WARNING:**

**NEVER USE PRODUCTS WITH BLEACH OR CHLORINE**

**OR ANY OTHER CORROSIVE MATERIALS, INCLUDING LIQUIDS CONTAINING SOLVENTS (I.E. GAS, OILS ETC), TRI-SODIUM PHOSPHATE PRODUCTS, AMMONIA, OR ACID-BASED CLEANERS. THESE CHEMICALS WILL HARM THE UNIT AND CAUSE DAMAGE TO THE SURFACE BEING CLEANED. ALWAYS READ THE LABEL.**

**E. GAS, OILS ETC), TRI-SODIUM PHOSPHATE PRODUCTS, AMMONIA, OR ACID-BASED CLEANERS. THESE CHEMICALS WILL HARM THE UNIT AND CAUSE DAMAGE TO THE SURFACE BEING CLEANED. ALWAYS READ THE LABEL.**

# **CLEAN-UP AND STORAGE**

## **Shutting Down the Pressure Cleaner**

**WHEN FINISHED USING THE PRESSURE CLEANER,  
FOLLOW THESE STEPS TO SHUT  
DOWN THE UNIT:**

- Turn the pressure cleaner to the OFF position.
- Turn off the water supply.
- Before disconnecting high-pressure hose connection, point the gun in a safe direction and discharge the high-pressure water.
- Disconnect high-pressure hose from the pressure cleaner and gun.
- Disconnect garden hose from the pressure cleaner.
- Remove quick coupler fitting from garden hose and attach to the nipple portion of the fitting installed on the pressure cleaner for storage.
- Remove excess water from the pump by tipping the unit on both sides to drain any remaining water from inlet and outlet fittings.
- Remove Water Intake Filter and flush with water to remove dirt or debris. Return filter once cleaned.
- Drain detergent reservoir and flush with running water.
- Wipe away any remaining water on all parts and fittings.
- Engage the gun safety lock.
- Store the pressure cleaner, parts, and accessories in an area with a temperature above 0°C (32°F).

## **Winterizing and Long-Term Storage**

***FOLLOW ALL OF THE ABOVE SHUT-DOWN PROCEDURES,  
ADDING THE FOLLOWING STEPS....***

- After disconnecting the water supply, and before disconnecting the high-pressure hose, turn the pressure cleaner on for 2-3 seconds, until any remaining water in the pump exits.

**TURN UNIT OFF IMMEDIATELY.**

**CONTINUED USE OF THE PRESSURE CLEANER WITHOUT  
WATER SUPPLY ATTACHED WILL CAUSE  
SEVERE DAMAGE TO THE UNIT!**

- Always store the pressure cleaner, parts, and accessories in an area with a temperature above 0°C (32°F).

***WARNING: FAILURE TO COMPLY WITH THESE  
STORAGE INSTRUCTIONS WILL RESULT IN  
DAMAGE TO THE PUMP ASSEMBLY.***

## **Maintenance**

- This pressure cleaner is supplied with a closed lubrication system, so no addition of oil is needed.
- Check all hoses and accessories for damage prior to use.
- Check the inlet filter periodically for deposits. Clean this filter regularly for maximum performance.

# CLEANING TIPS

## **WARNING:**

**ALWAYS TEST THE SPRAY IN AN AREA FREE AND CLEAR OF PEOPLE AND OBJECTS BEFORE YOU SPRAY AT THE INTENDED CLEANING SURFACE.**

## **Wood and Vinyl Decks**

Rinse deck and surrounding area with fresh water. If using detergent, fill the detergent reservoir and apply to the area being cleaned at low pressure. For optimal results, reduce your work area to smaller sections and clean each section one at a time. Allow the detergent to rest on the surface for a few minutes and then rinse at high pressure. Do not let the cleanser dry. Always clean from left to right and top to bottom for best results. Rinse at high pressure using the fan spray keeping the tip of the spray nozzle at least 6-9 inches from the cleaning surface. Maintain a further distance from the cleaning area when using a direct spray.

**Caution: For softer woods, increase the distance from the cleaning area.**

## **Cement Patios, Stone, and Brick**

Rinse cleaning and surrounding area with fresh water. If using detergent, fill the detergent reservoir and apply to the area being cleaned at low pressure. Rinse at high pressure using the fan spray in a sweeping motion keeping the tip of the spray nozzle at least 3-6 inches from the cleaning surface. Maintain a further distance from the cleaning area when using a direct spray.

## **Cars, Boats, and Motorcycles**

Rinse cleaning and surrounding area with fresh water. If using detergent, fill the detergent reservoir and apply to the area being cleaned at low pressure. To achieve the best results, clean one side at a time. Allow the detergent to rest on the surface for a few minutes, but do not let the detergent dry. Rinse at high pressure using the fan spray in a sweeping motion keeping the tip of the spray nozzle at least 8 inches from the cleaning surface. Maintain a further distance from the cleaning area when using a direct spray. Wipe surface dry for a polished finish.

## **Barbecue Grills, Power Equipment, and Garden Tools**

Rinse cleaning and surrounding area with fresh water. If using detergent, fill the detergent reservoir and apply to the area being cleaned at low pressure. Allow the detergent to rest on the surface for a few minutes, but do not let the detergent dry. Rinse at high pressure using the fan spray keeping the tip of the spray nozzle at least 1-3 inches from the cleaning surface. Maintain a further distance from the cleaning area when using a direct spray.

# TECHNICAL DATA

Model	C402-PLUS-1800A
Mains voltage	220-240V
Mains frequency	50/60Hz
Power input	1800W
Rated pressure	100bar
Max. pressure	150bar
Rated flow	6L/min
Max water inlet pressure	12bar
Max water inlet temperature	50°C

Level of sound pressure measured according to ISO 3744:

$L_{PA}$ (sound pressure)	dB (A) 90.3
$K_{PA}$ (sound pressure)	dB (A) 3
$L_{WA}$ (sound power)	dB (A) 105
$K_{WA}$ (sound power)	dB (A) 3
Weighted root mean square acceleration value:	< 2.65 m/s <sup>2</sup>

## GUARANTEE

Refer to the enclosed guarantee conditions for the terms and conditions of guarantee.

## ENVIRONMENT

Should your machine need replacement after extended use, do not put it in the domestic waste but dispose of it in an environmentally safe way.

# TROUBLESHOOTING TIPS

## WHEN THE SWITCH IS IN THE "I" POSITION THE MACHINE WILL NOT START

### PROBABLE CAUSE

Electrical socket is faulty

Voltage is inadequate

Power cord is not plugged in

### SOLUTION

Check plug, socket, fuses

Check whether the voltage is adequate

Plug in power cord

## THE PUMP DOES NOT REACH ADEQUATE PRESSURE OR FLUCTUATES

### PROBABLE CAUSE

Water inlet filter is clogged

Pump is drawing air

Suction valves are clogged/worn

Diameter of garden hose too small

Water supply is restricted

Insufficient water supply

### SOLUTION

Remove and clean filter

Tighten connections/bleed system

Clean or replace valves

Replace with  $\frac{3}{4}$  inch garden hose

Check hose for kinks or leaks

Fully open water source

## THE PRESSURE CLEANER HAS OR WILL NOT MAINTAIN PRESSURE

### PROBABLE CAUSE

Excessive air in waterline and pump

### SOLUTION

Turn unit and water supply off/

Bleed system/Hold trigger down

## THE PRESSURE CLEANER MAKES EXCESSIVE NOISE

### PROBABLE CAUSE

Intake is blocked

Valves are worn, dirty, or clogged

Filter is dirty

### SOLUTION

Check the intake valves

Check, clean or replace valves

Check, clean, or replace filter

## THE MOTOR STOPS RUNNING WHILE IN USE

### PROBABLE CAUSE

Net voltage lower than suggested

### SOLUTION

Check whether the voltage is adequate

# EC Declaration of Conformity

We hereby declare that the design, construction and the model for the device with the standard and the requirements of safety and health of the EU's consistent policy.

The statement will prove ineffective if the device is being modified without our approval.

Type of instrument: Pressure Cleaner C402-PLUS-1800A

Anwendbar EU guidelines:

- EU Machinery Directive 2006/42/EC
- EU Low Voltage 2006/95/EC
- EU Directive Electromagnetic Compatibility 2004/108/EC
- EU Electromagnetic Compatibility Directive 2000/14/EC
- EU Directive 2002/95/EC

Applied harmonized standards:

- EN 60335-1:2012/A15:2021
- EN 60335-2-79:2012
- EN 55014-1:2021
- EN 55014-2:2021
- EN IEC 61000-3-2:2019/A1:2021
- EN 61000-3-3:2013/A2:2021
- EN 62233:2008

**UK**

If you have any questions, please contact our customer care centre.

Our contact details are below:



0044-800-240-4004



[enquiries@mhstar.co.uk](mailto:enquiries@mhstar.co.uk)

IMPORTER ADDRESS:

MH STAR UK LTD  
Unit 27, Perivale Park,  
Horsenden lane South  
Perivale, UB6 7RH  
MADE IN CHINA

