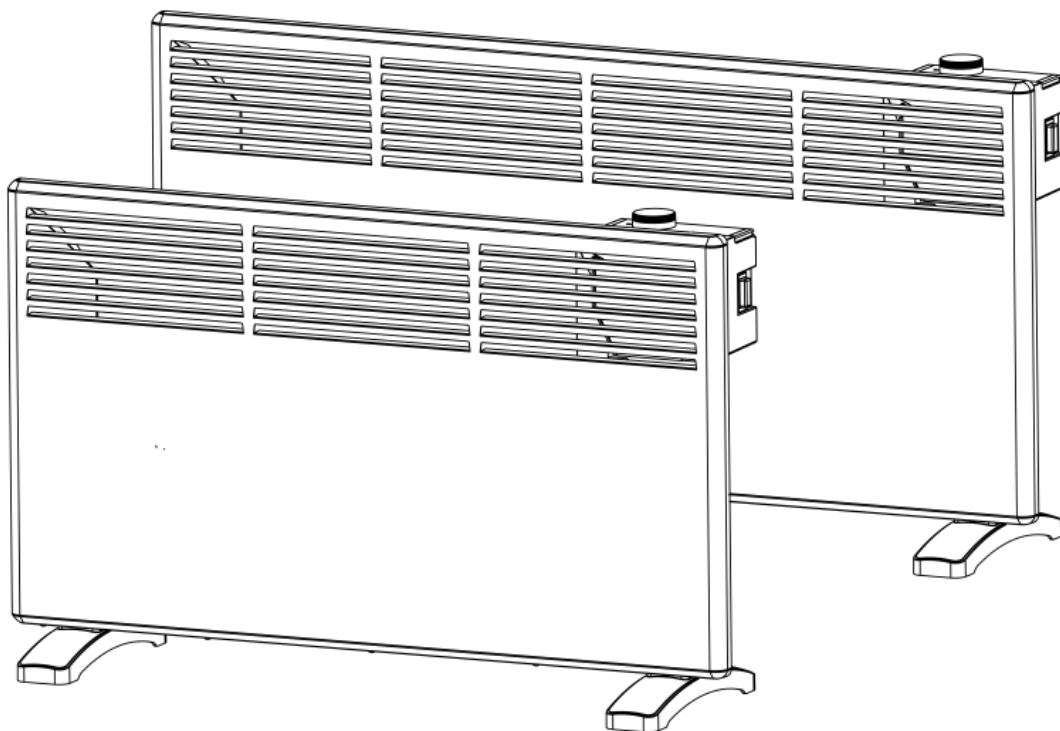




IN240600274V02_UK

820-420V70_820-420V71



Panel Heater



EN_This product is only suitable for well insulated spaces or occasional use.

EN_IMPORTANT, RETAIN FOR FUTURE REFERENCE: READ CAREFULLY.

1. IMPORTANT SAFEGUARDS

When using an electrical appliance, basic safety precautions should always be observed, including the following:

READ ALL INSTRUCTIONS BEFORE USING

- **WARNING:** To reduce the risk of fire, electrical shock, or injury to person:
- This appliance can be used by children aged from 8 years and above and persons with reduced physical, sensory or mental capabilities or lack of experience and knowledge if they have been given supervision or instruction concerning use of the appliance in a safe way and understand the hazards involved. Children shall not play with the appliance. Cleaning and user maintenance shall not be made by children without supervision.
- Children of less than 3 years should be kept away unless continuously supervised.
- Children aged from 3 years and less than 8 years shall only switch on/off the appliance provided that it has been placed or installed in its intended normal operating position and they have been given supervision or instruction concerning use of the appliance in a safe way and understand the hazards involved. Children aged from 3 years and less than 8 years shall not plug in, regulate and clean the appliance or perform user maintenance.
- **CAUTION** - Some parts of this product can become very hot and cause burns. Particular attention has to be given where children and vulnerable people are present.
- If the supply cord is damaged, it must be replaced by the manufacturer, its service agent or similarly qualified persons in order to avoid a hazard.
- **CAUTION:** In order to avoid a hazard due to inadvertent resetting of the thermal cutout, this appliance must not be supplied through an external switching device, such as a timer, or connected to a circuit that is regularly switched on and off by the utility.



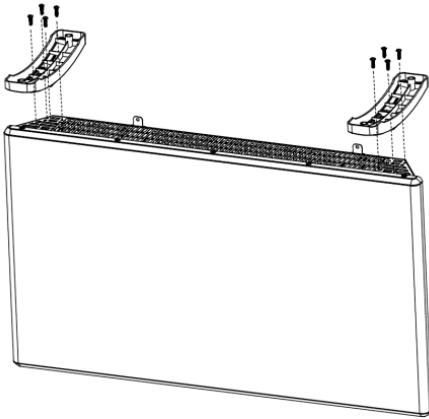
- **WARNING:** In order to avoid overheating, do not cover the heater.
- The heater must not be located immediately below a socket-outlet.
- Do not use this heater in the immediate surroundings of a bath, a shower or a swimming pool.
- Do not use this heater if it has been dropped;
- Do not use if there are visible signs of damage to the heater;
- Use this heater on a horizontal and stable surface, or fix it to the wall, as applicable.
- **WARNING:** Do not use this heater in small rooms when they are occupied by persons not capable of leaving the room on their own, unless constant supervision is provided.
- **WARNING:** To reduce the risk of fire, keep textiles, curtains, or any other flammable material a minimum distance of 1 m from the air outlet.
- The product is for household use only.
- Connect the appliance to single-phase AC supply of the voltage specified on the rating plate.

- Never leave the heater unattended while it is in use. Always turn the product to the OFF position and unplug it from the electrical outlet when not in use.
- Extreme caution is necessary when any heater is used by or near children, invalids or elderly person and whenever the heater is left operating and unattended.
- Do not run cord under carpeting and do not cover cord with throw rugs, runners or the like. Arrange cord away from traffic area and where it will not be tripped over.
- Do not operate the heater with a damaged cord or plug, or after the heater malfunctions, has been dropped, or damaged in any manner.
- Avoid the use of an extension cord as this may overheat and cause a risk of fire.
- Use the heater in a well-ventilated area. Do not insert or allow objects to enter any ventilation or exhaust opening. To prevent a possible fire, do not block air intakes or exhaust openings in any manner. Do not use on soft surfaces, like a bed, where openings may become blocked. Use the heater on flat, dry surfaces only.
- Do not place this heater near flammable materials, surfaces or substances, as there may be a risk of fire. Keep the above flammable materials, surfaces or substances at least 1m from the front of the product and keep them away from the sides and rear.13. Do not use the heater in any areas where petrol, paint or other flammable liquids are stored e.g. Garages or workshops as a hot, arcing or sparking parts inside the heater.
- Don't use this heater in the immediate surroundings of a bath, a shower or a swimming pool with floor standing mode. Never locate the heater where it may fall into bathtub or other water container.
- Never touch the heater with wet hand. The heater should be installed so that can not be touched by a person using a bath or shower.
- This heater is hot when in use. To avoid burns and personal injury, do not let bare skin touch hot surfaces.
- Before moving the heater, please must unplugged it and let it cool down for 15 minutes. If provided, use handles when moving the product.
- Be sure that no other appliances are in use on the same electrical circuit as your product as an overload can occur.

FOR HOUSEHOLD USE ONLY SAVE THESE INSTRUCTIONS

2. Specifications

Model	Thermostat	Voltage	Power	IP rating
NDFL1202F-3	Mechanical	~230 V / 50 Hz	1500W	IPx4
NDFL1202F-4	Mechanical	~230 V / 50 Hz	2000W	IPx4



3. Assembly

For Stand

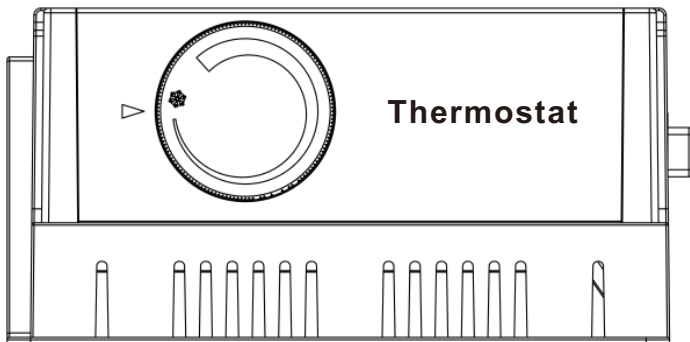
1-Fit the foot onto the bottom of the body.

2-Fasten 2pcs foots with 8 screws (ST4*14).

Parts list							
NO.	Description	Quantity	Note	NO.	Description	Quantity	Note
1	Screw(ST4*14)	8	Used for Stand	2	foot	2	Used for Stand
3	Instruction Manual	1	/	4	/	/	/

4. Operation

WARNING: Only operate the heater in normal upright position with foot attached to the bottom of the unit (foot on the bottom, controls on the top), any other position could lead into a hazardous situation.



1. Set the power switch to off position and rotate the thermostat anticlockwise to minimum position. Then insert the plug into a socket-outlet with well grounded.
2. Press power switch on. Then rotate the thermostat clockwise to the position of MAX. When your room reaches the desired temperature, now slowly rotate the thermostat knob anticlockwise until the pilot light goes out. The thermostat can now be left at this setting. As soon as the room temperature has dropped below the set temperature, the unit will switch itself on automatically until the set temperature has been reached again. In this way the room temperature remains constant with the most economical use of electricity.
3. If you want to change the room temperature setting, rotate the thermostat knob clockwise to raise the temperature, or anticlockwise to lower it.

4. This heater includes an overheat protection system that shuts off the heater when parts of the heater are getting excessively hot.
5. To completely shut the heater off, do turn all the controls to OFF by manual, especially for OFF switch and remove plug from the socket-outlet.

5.Maintenance

- 1) For cleaning, always unplug the heater and leave it to cool.
- 2) Wipe the heater regularly with a damp cloth and dry the surface before turning on the heater again.
- 3) The heater must be cleaned at least once a month during the heating season.

CAUTION! The heater should never be immersed in water.

Avoid using detergents to clean the heater.

Never let any water get inside the heater; this can be hazardous.

- 4) Dust etc. should be removed with a soft cloth.
- 5) The heater can be stored in a dry and clean place.

6.Waste disposal



The symbol indicates that this product is not to be disposed of together with household waste. This product must be delivered to a recycling service or container for electrical appliances and electronic equipment. This is done to avoid health risks and prevent harm to the environment. Local businesses (or the environmental station in your neighborhood) are required by law to accept and recycle such products, as a means of environmentally sound disposal.

UK

If you have any questions, please contact our customer care center.

Our contact details are below:



0044-800-240-4004



enquiries@mhstar.co.uk

IMPORTER ADDRESS:

MH STAR UK Ltd

1 Northampton Cross Logistics Park

Northampton Cross Road

Northampton

NN4 9FH

MADE IN CHINA

Information requirements for electric local space heaters

Model identifier(s):820-420V70_820-420V71					
Item	Symbol	Value	Unit	Item	Unit
Heat output			Type of heat output/room temperature control (select one)		
Nominal heat output	P_{nom}	2.0	kW	Single stage heat output and no room temperature control	[no]
Minimum heat output (indicative)	P_{min}	N/A	kW	Two or more manual stages, no room temperature control	[no]
Maximum continuous heat output	$P_{max.c}$	2.0	kW	With mechanic thermostat room temperature control	[yes]
Power consumption			With electronic room temperature control		
In off mode	P_o	0.00	W	Electronic room temperature control plus day timer	[no]
In standby mode	P_{sm}	0.00	W	Electronic room temperature control plus week timer	[no]
In idle mode	P_{idle}	N/A	W	Other control options (multiple selections possible)	
In network standby	P_{nsm}	N/A	W	Room temperature control, with presence detection	[no]
				Room temperature control, with open window detection	[no]
Standby mode with display of information or status			[no]	Distance control option	[no]
Seasonal space heating energy efficiency in active mode	$\eta_{s,on}$	85.0	%	Adaptive start control	[no]
				Working time limitation	[no]
				Black bulb sensor	[no]
				Self-learning functionality	[no]
				Control accuracy	[no]
Contact details:	IMPORTER ADDRESS: MH STAR UK Ltd 1 Northampton Cross Logistics Park Northampton Cross Road Northampton NN4 9FH MADE IN CHINA				

